

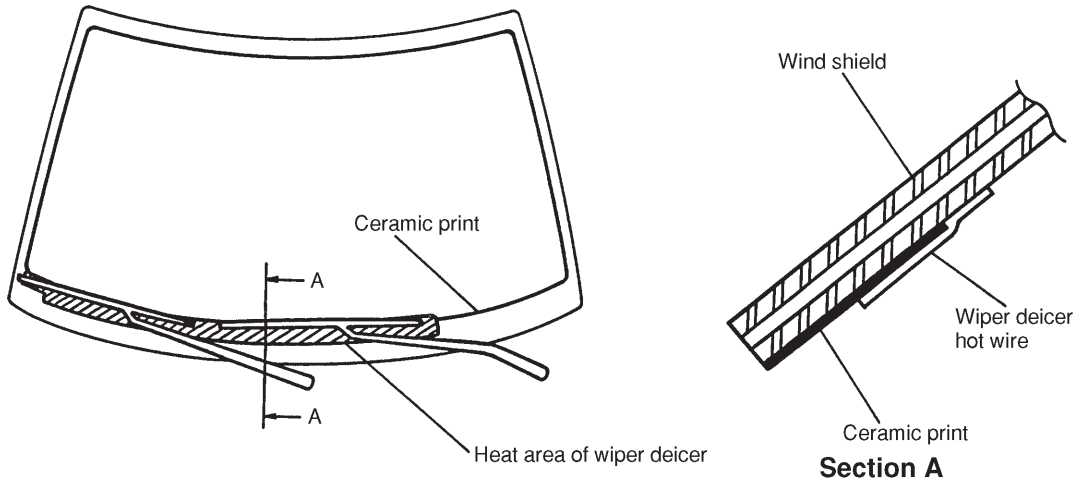
6-2 [M11A0]
11. Wiper Deicer

MECHANISM AND FUNCTION

11. Wiper Deicer

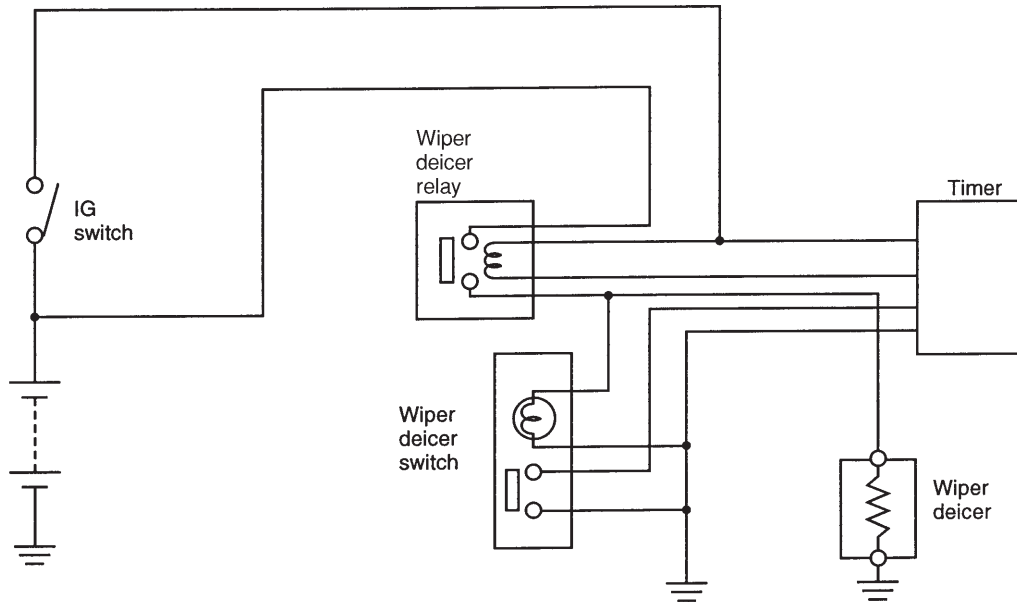
A: CONSTRUCTION

The wiper deicer system is activated when its wiper deicer switch is turned ON and heats with a heater wire the lower part of the windshield to melt the ice that blocks the wiper blades. The system turns off automatically in 15 minutes after the wiper deicer switch is turned ON.



B6H0857A

B: CIRCUIT DIAGRAM



B6H0858