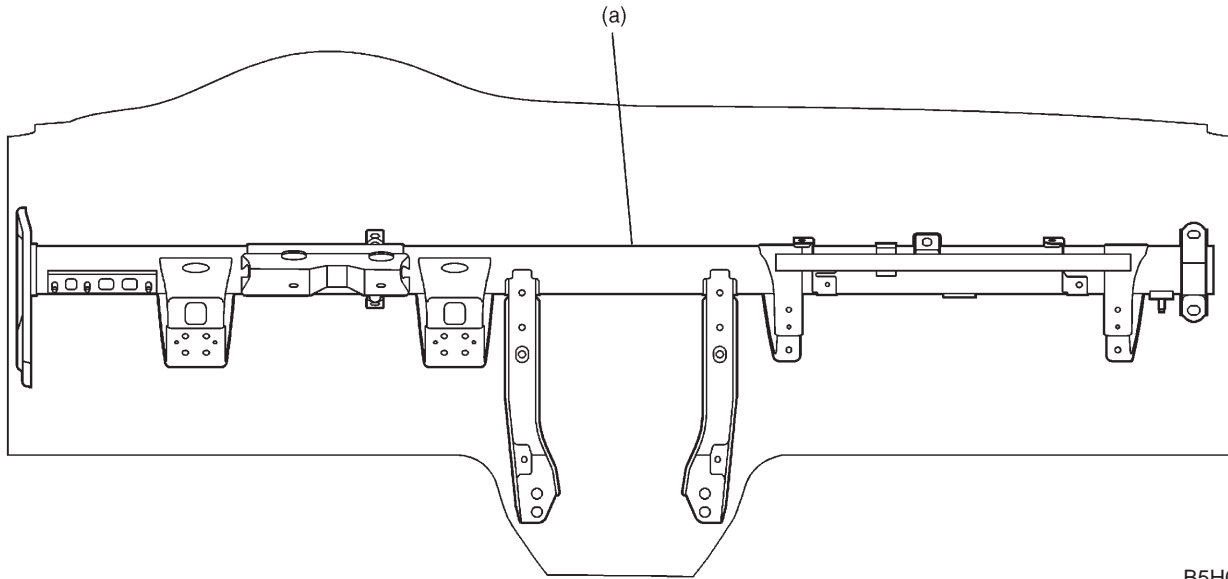


1. Steering Support Beam

A steering support beam (a) is provided between the left and right front pillars to reinforce the steering column.

It also minimizes vibration and steering column extension in a collision.



B5H0830A