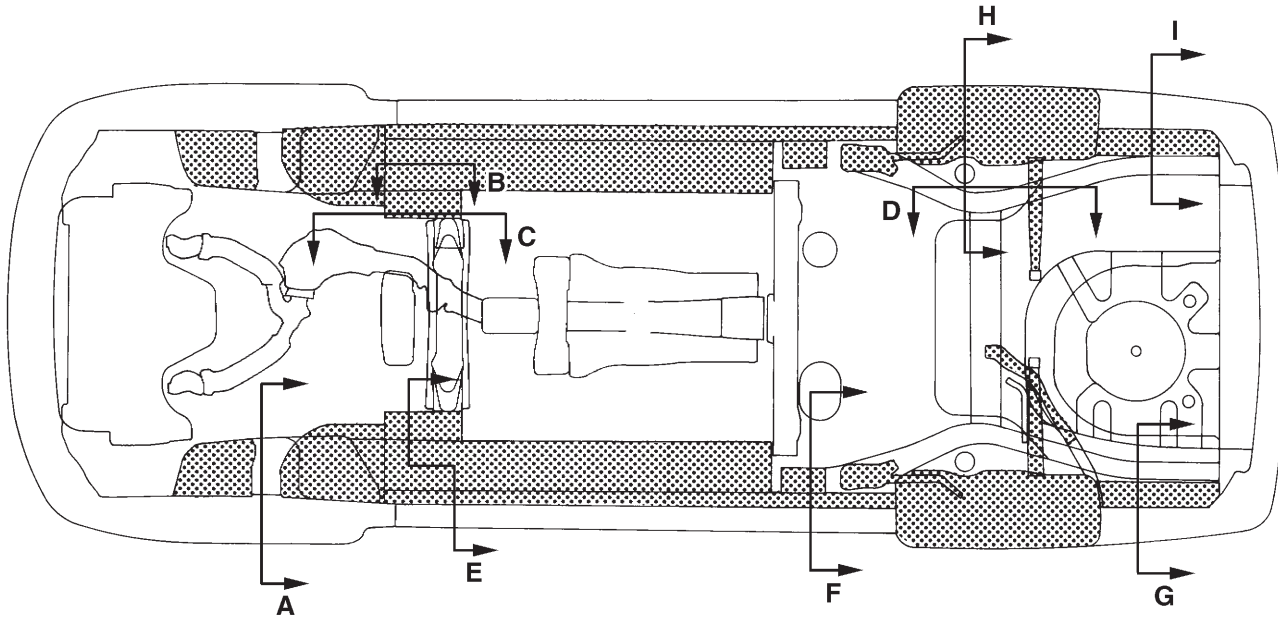


5-1 [M700]

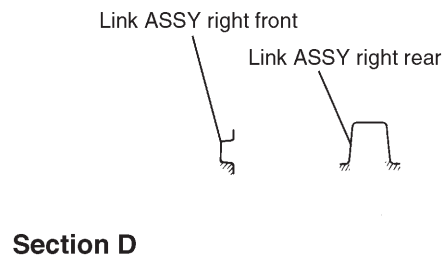
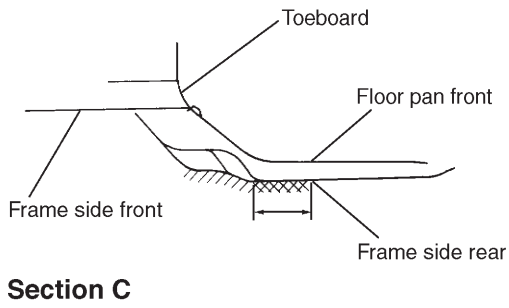
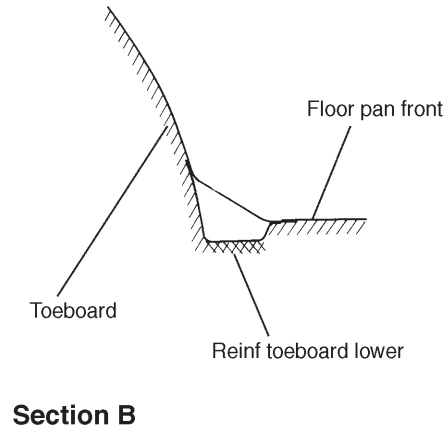
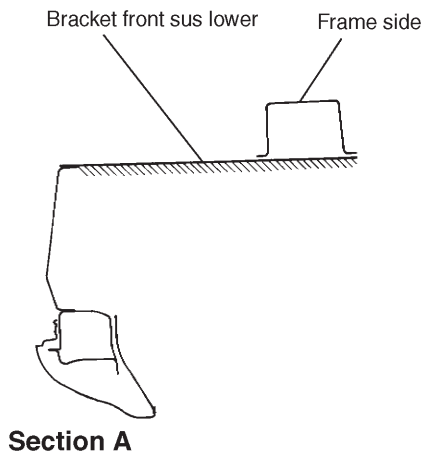
MECHANISM AND FUNCTION

7. Anti-rust Wax (Bitumen Wax) Application

7. Anti-rust Wax (Bitumen Wax) Application



Body lower surface

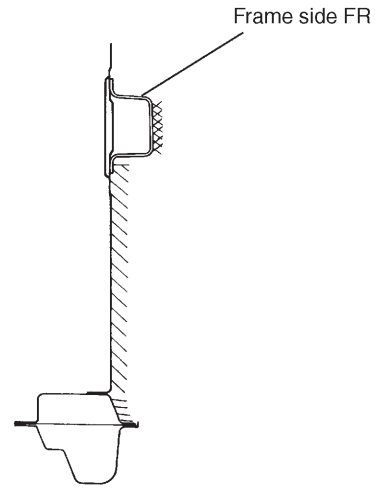


B5H0611A

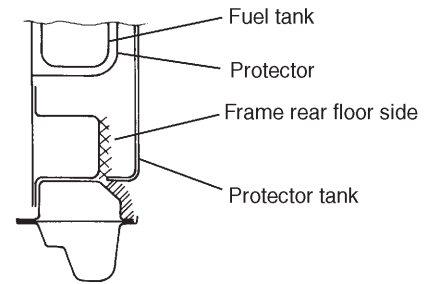
**MECHANISM AND FUNCTION**

[M700] 5-1

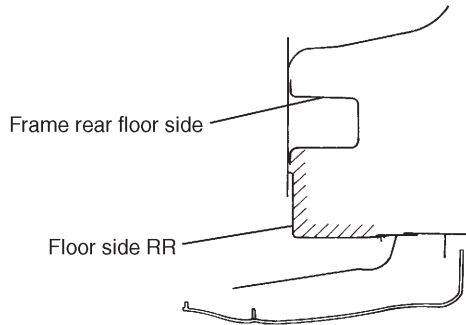
7. Anti-rust Wax (Bitumen Wax) Application



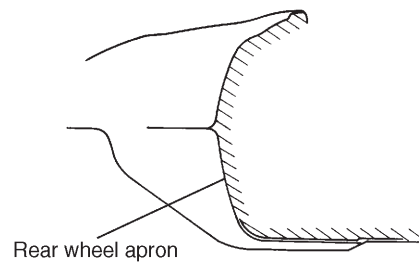
**Section E**



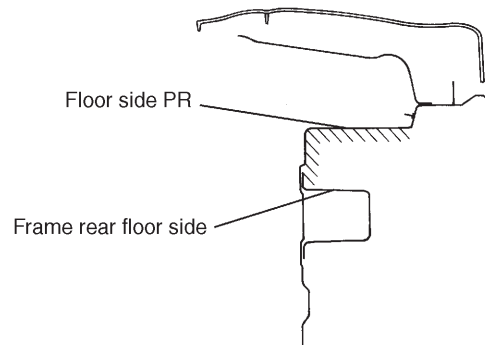
**Section F**



**Section G**



**Section H**



**Section I**

B5H0835A