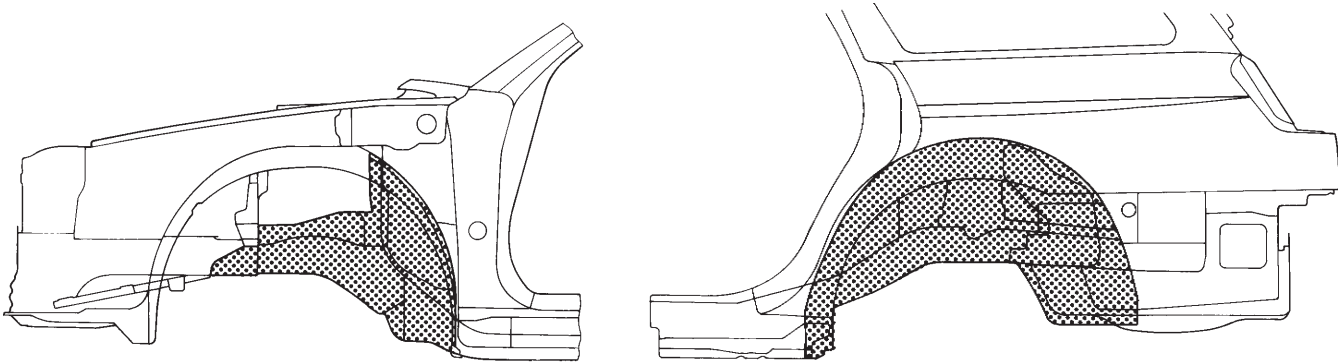
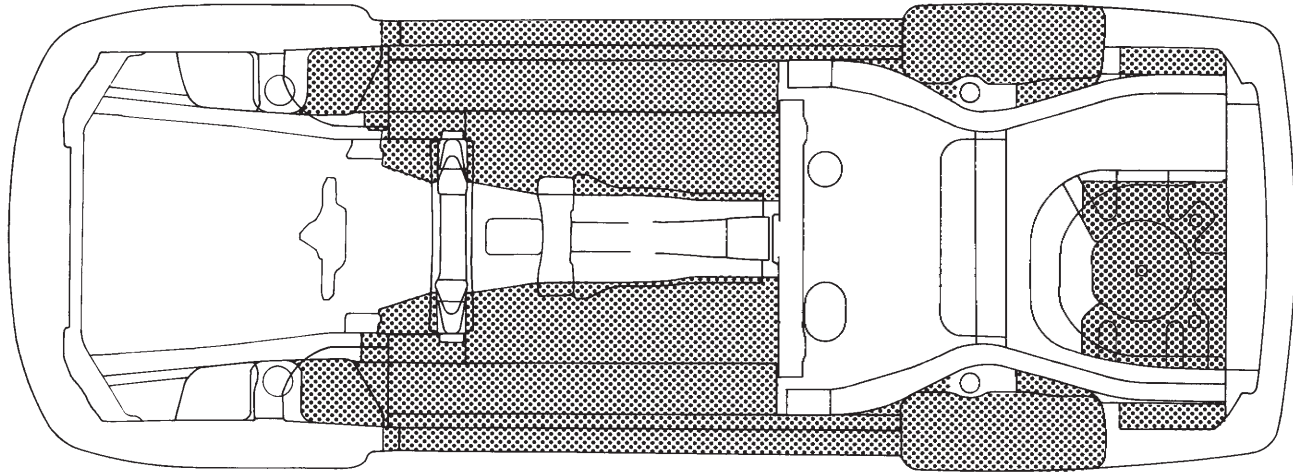


**5-1 [M800]****MECHANISM AND FUNCTION****8. Polyvinyl Chloride (PVC) Application**

---

**8. Polyvinyl Chloride (PVC) Application**

B5H0624