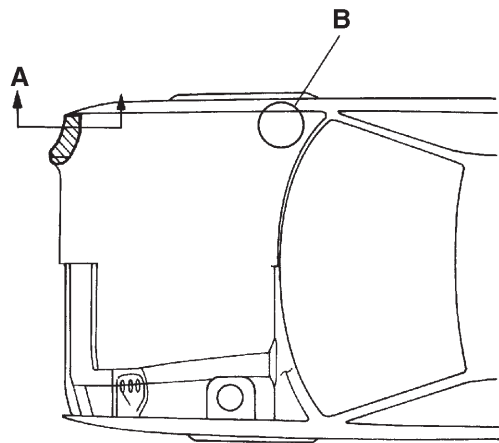
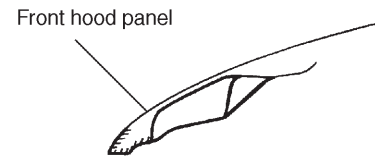
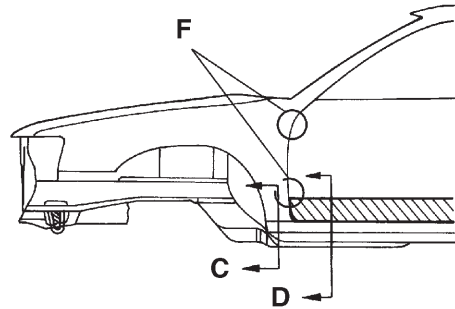
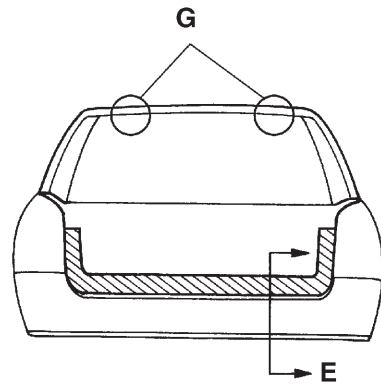


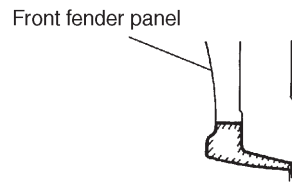
9. Hot Wax Application



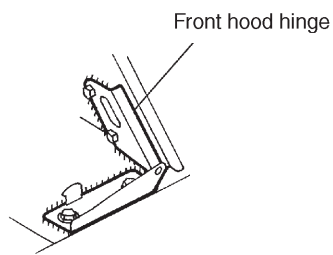
WAGON



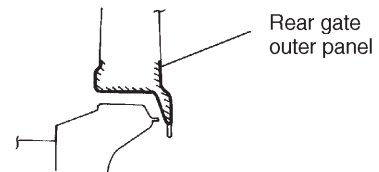
Section A



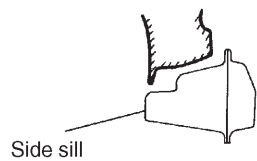
Section C



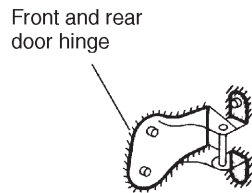
View B



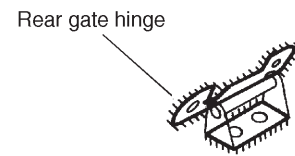
Section E



Section D



Section F

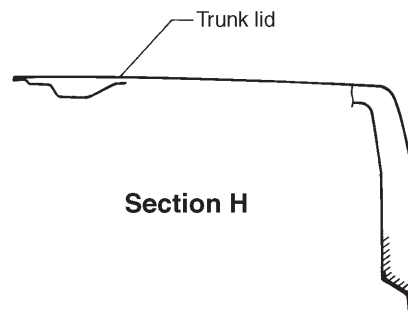
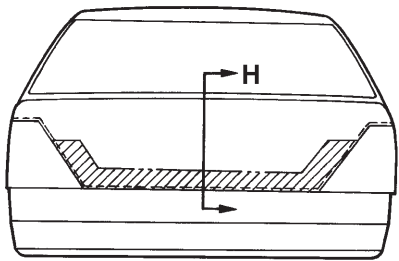


Section G

**5-1 [M900]**  
9. Hot Wax Application

**MECHANISM AND FUNCTION**

**SEDAN**



B5H0837A