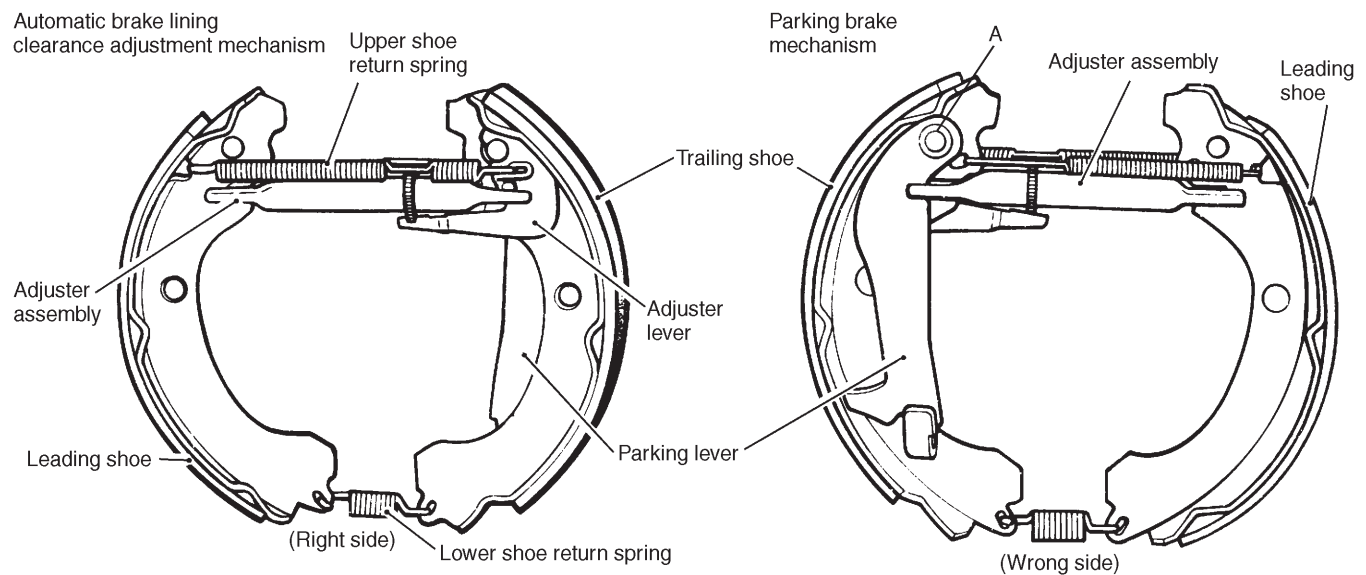
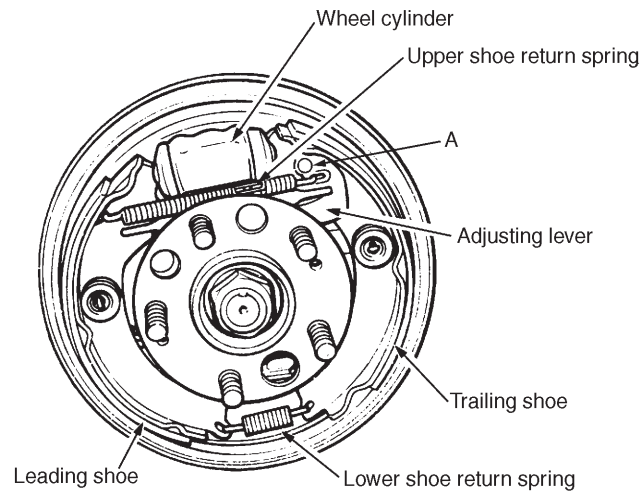


MECHANISM AND FUNCTION**[M800] 4-4****8. Parking Brake (Rear Drum Brake)****8. Parking Brake (Rear Drum Brake)**

When the parking brake lever is moved up, a lever in the drum brake moves with point "A" as a fulcrum so that the trailing shoe expands. The leading shoe also expands by way of the adjuster assembly. In this way, braking force will occur.



B4H1632A

4-4

MECHANISM AND FUNCTION

MEMO