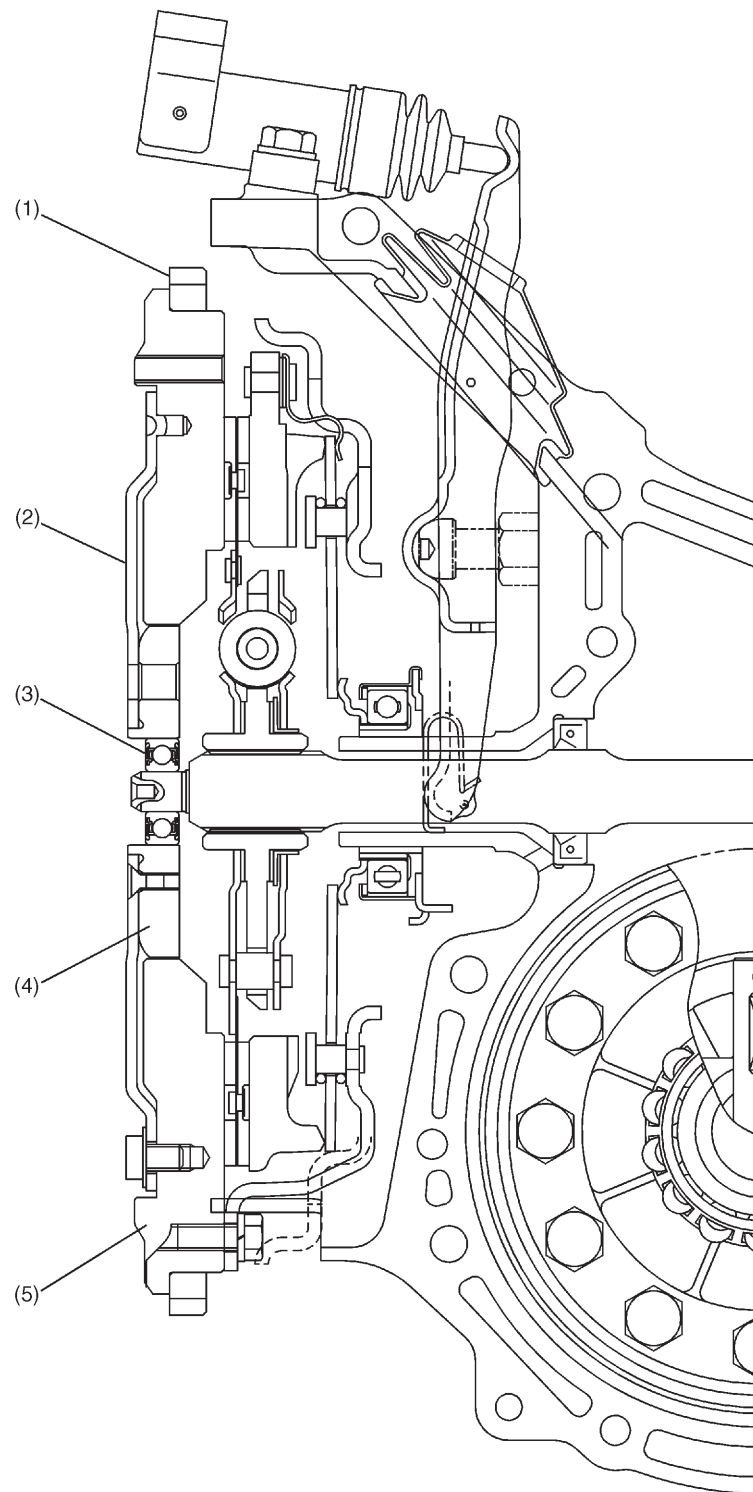


2-10 [M2A0]
2. Flywheel**MECHANISM AND FUNCTION**

2. Flywheel**A: OUTLINE**

The flywheel is of a flexible type which is composed of a drive plate, reinforcement, mass flywheel, etc.

This type of flywheel is characterized by less vibration and less noise, since it transmits the engine power from the crankshaft to the clutch disc through the drive plate and mass flywheel.

MECHANISM AND FUNCTION**[M2A0] 2-10**
2. Flywheel

- (1) Ring gear
- (2) Drive plate
- (3) Ball bearing

- (4) Reinforcement
- (5) Mass flywheel

S2H0888B

2-10

MECHANISM AND FUNCTION

MEMO