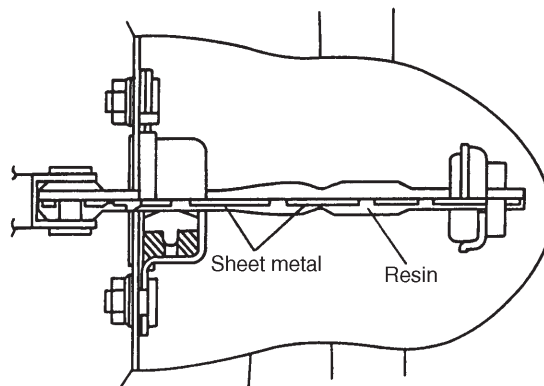


5-2 [M1A0]

1. Door

MECHANISM AND FUNCTION**1. Door****A: DOOR CHECKER**

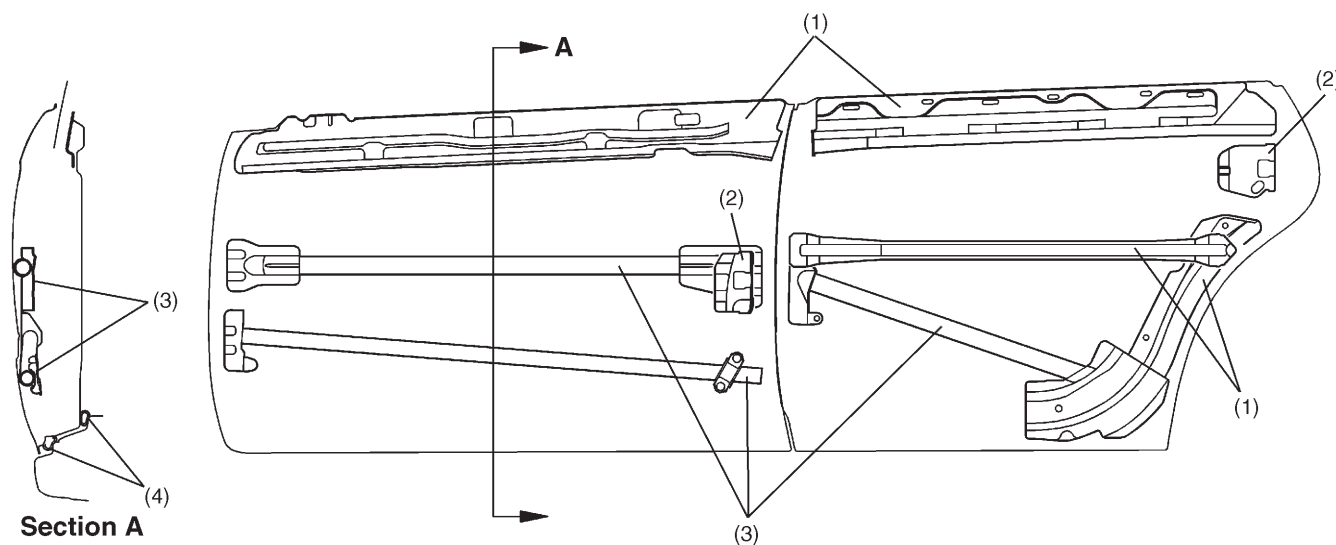
A resin molding type door checker is introduced.



S5H0001A

B: DOOR CONSTRUCTION

- All front and rear doors are fitted with side door beams, inner reinforcements and a reinforcement latch.
- Dual sealing is adopted.



B5H0821A

- (1) Inner reinforcement
- (2) Reinforcement latch

- (3) Side door beam
- (4) Dual sealing