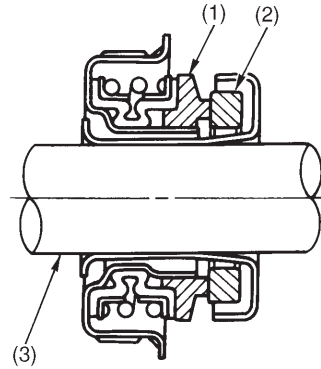


4. Mechanical Seal

The mechanical seal has its seat pressed into the water pump shaft to form the seal and water pump as a single unit. With this design, the water pump cannot be disassembled.



- (1) Carbon seal
- (2) Ceramics seat
- (3) Water pump shaft

H2H2325