

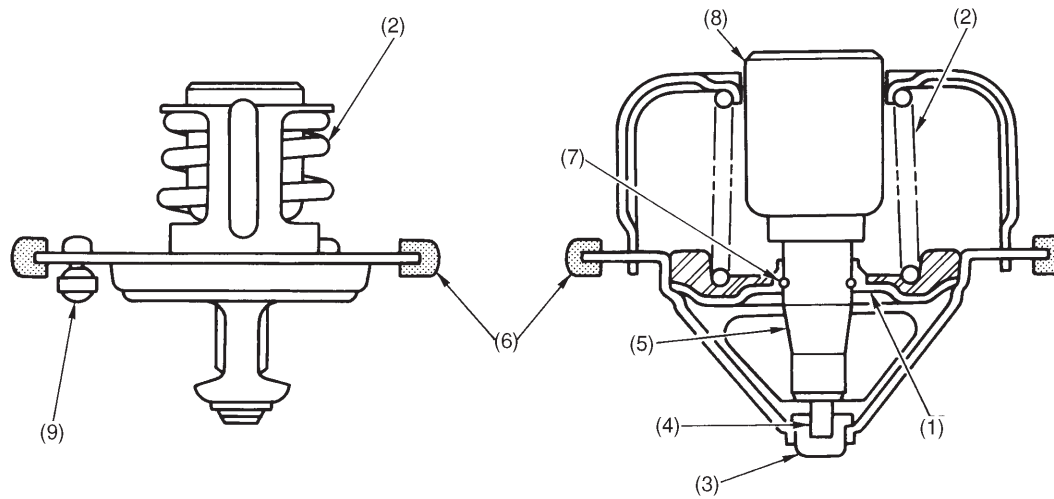
2-5 [M500]

5. Thermostat

MECHANISM AND FUNCTION

5. Thermostat

The thermostat is powered to open the valve by a totally-enclosed wax pellet which expands with increased temperature. It provides the sure open-close operation of the valve and features high durability.



H2H2326

- | | | |
|-------------|-----------------|------------------|
| (1) Valve | (4) Piston | (7) Stop ring |
| (2) Spring | (5) Guide | (8) Wax element |
| (3) Stopper | (6) Gum packing | (9) Jiggle valve |