

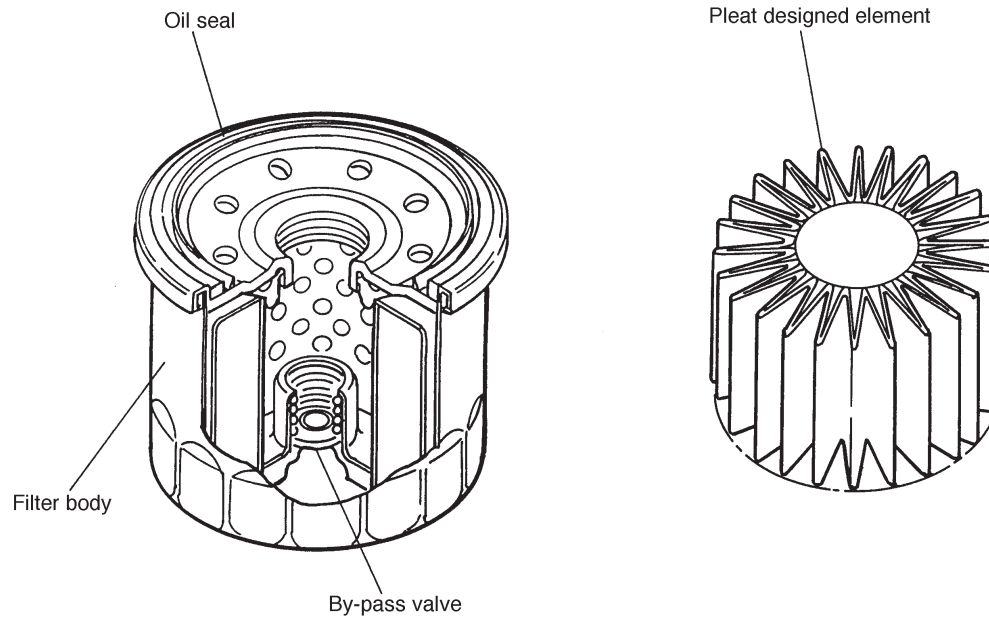
2-4 [M400]

4. Oil Filter

MECHANISM AND FUNCTION

4. Oil Filter

The oil filter is a full-flow cartridge type that utilizes a paper element. It also has a built-in by-pass valve. The filter element has a special pleat design to increase the effective filtering area.



S2H0249A