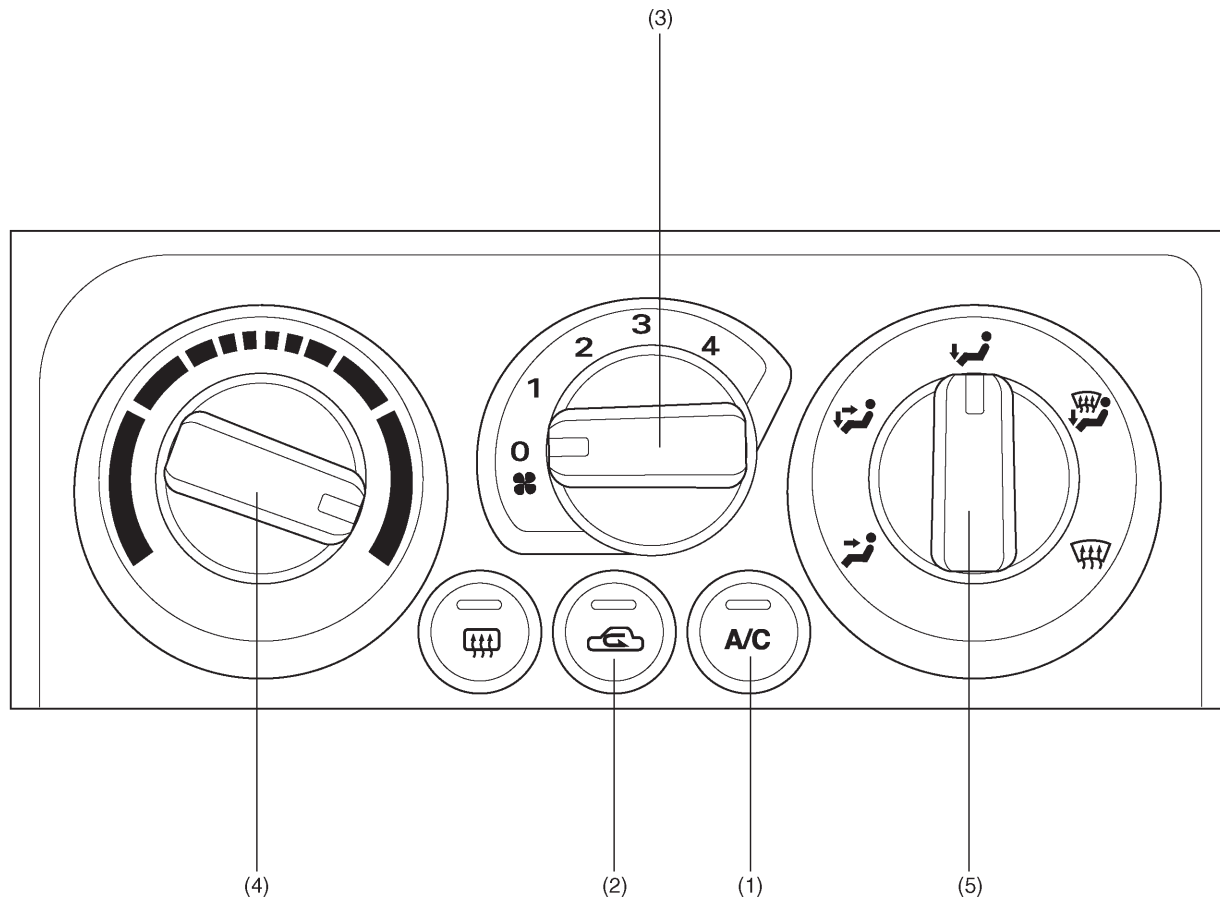


2. Switch Function



(1)	A/C switch	Indicator	*ON		OFF		
		Compressor	ON		OFF		
		*: When fan switch is "ON", indicator light and compressor turn "ON".					
(2)	Recirc switch	Indicator	ON		OFF		
		Intake door position	Recirc		Fresh		
(3)	Fan switch	Switch position	1	2	3	4	
		Fan speed	1st (slow)	2nd	3rd	4th (fast)	
(4)	Temperature control switch	Outlet air temperature can be variably controlled form COLD to HOT.					
(5)	Mode selector switch	Switch position					
		Air outlet	Vent	Vent Heat	Heat	DEF Heat	DEF

B4H1503A