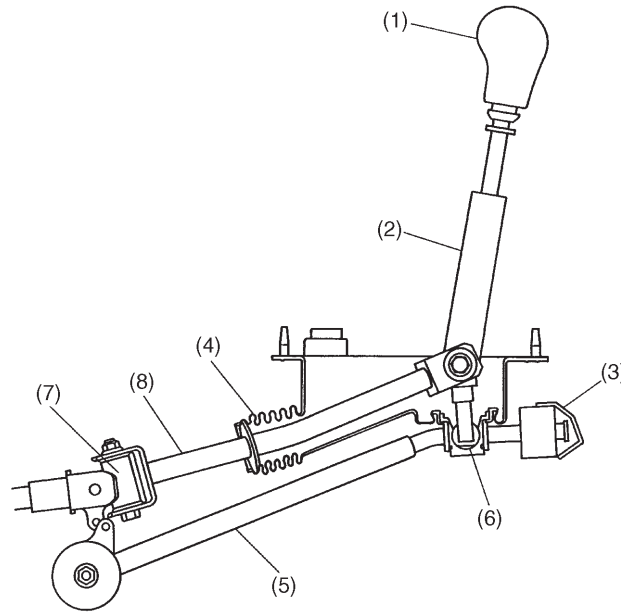


1. Gear Shift Lever

The gearshift lever system is a parallel link type whose stay is rubber-mounted.



B3H1502A

- (1) Knob
- (2) Lever
- (3) Cushion rubber
- (4) Boot

- (5) Stay
- (6) Bush
- (7) Joint
- (8) Rod