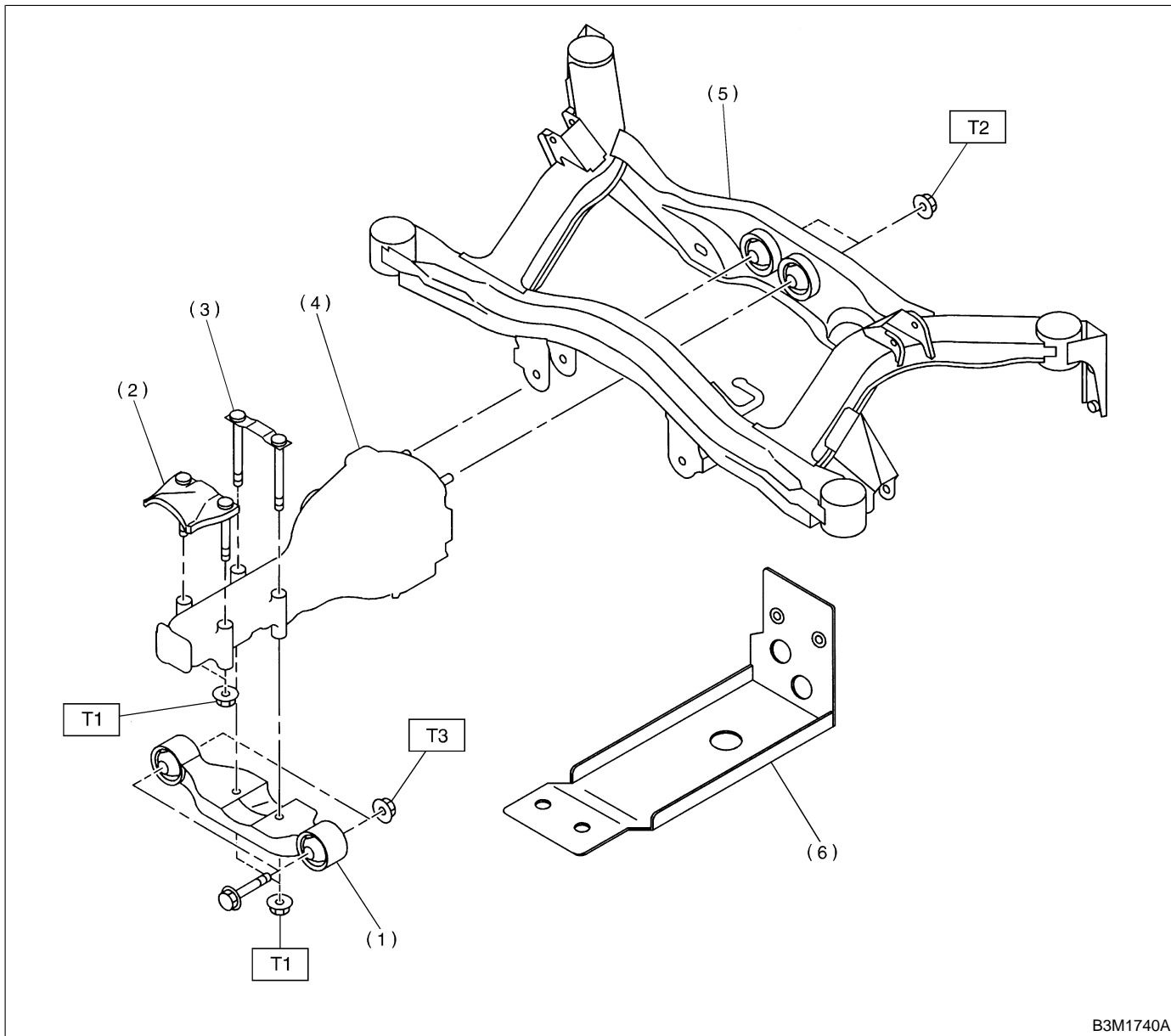


3. Rear Differential Mounting System



B3M1740A

- (1) Rear differential front member
- (2) Protector
- (3) Rear differential member plate
- (4) Rear differential ASSY
- (5) Sub frame

- (6) Rear differential protector (if equipped)

Tightening torque: N-m (kg-m, ft-lb)

T1: 64±8 (6.5±0.8, 47.0±5.8)

T2: 69±8 (7.0±0.8, 50.6±5.8)

T3: 108±15 (11±1.5, 80±11)