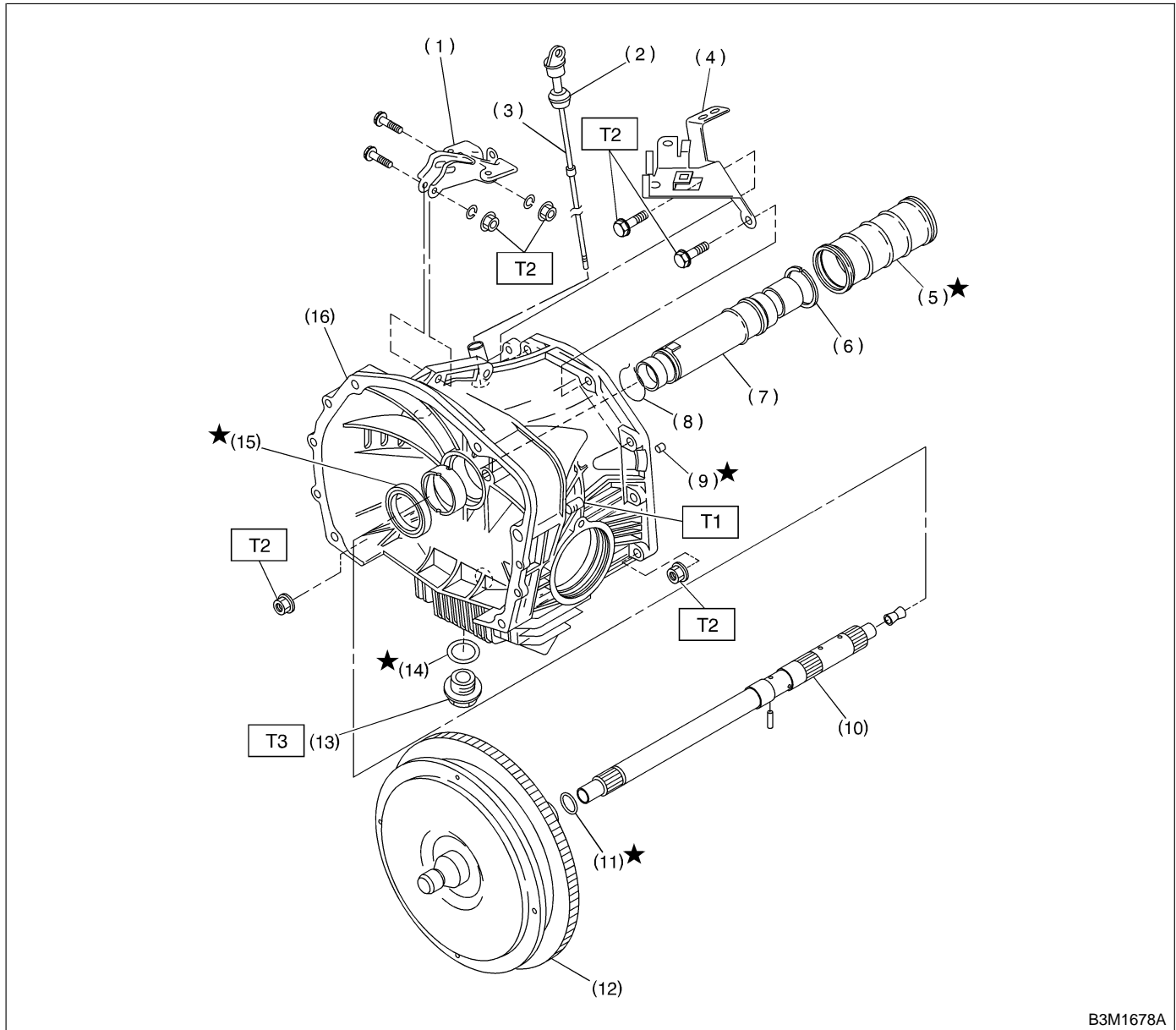


1. Torque Converter Clutch and Case



B3M1678A

- |                                  |                                   |
|----------------------------------|-----------------------------------|
| (1) Pitching stopper bracket     | (9) Oil drain pipe                |
| (2) O-ring                       | (10) Input shaft                  |
| (3) Differential oil level gauge | (11) O-ring                       |
| (4) Stay                         | (12) Torque converter clutch ASSY |
| (5) Seal pipe                    | (13) Drain plug                   |
| (6) Seal ring                    | (14) Gasket                       |
| (7) Oil pump shaft               | (15) Oil seal                     |
| (8) Clip                         | (16) Torque converter clutch case |

**Tightening torque: N·m (kg·m, ft·lb)**

**T1: 18±5 (1.8±0.5, 13.0±3.6)**

**T2: 41±3 (4.2±0.3, 30.4±2.2)**

**T3: 44±3 (4.5±0.3, 32.5±2.2)**