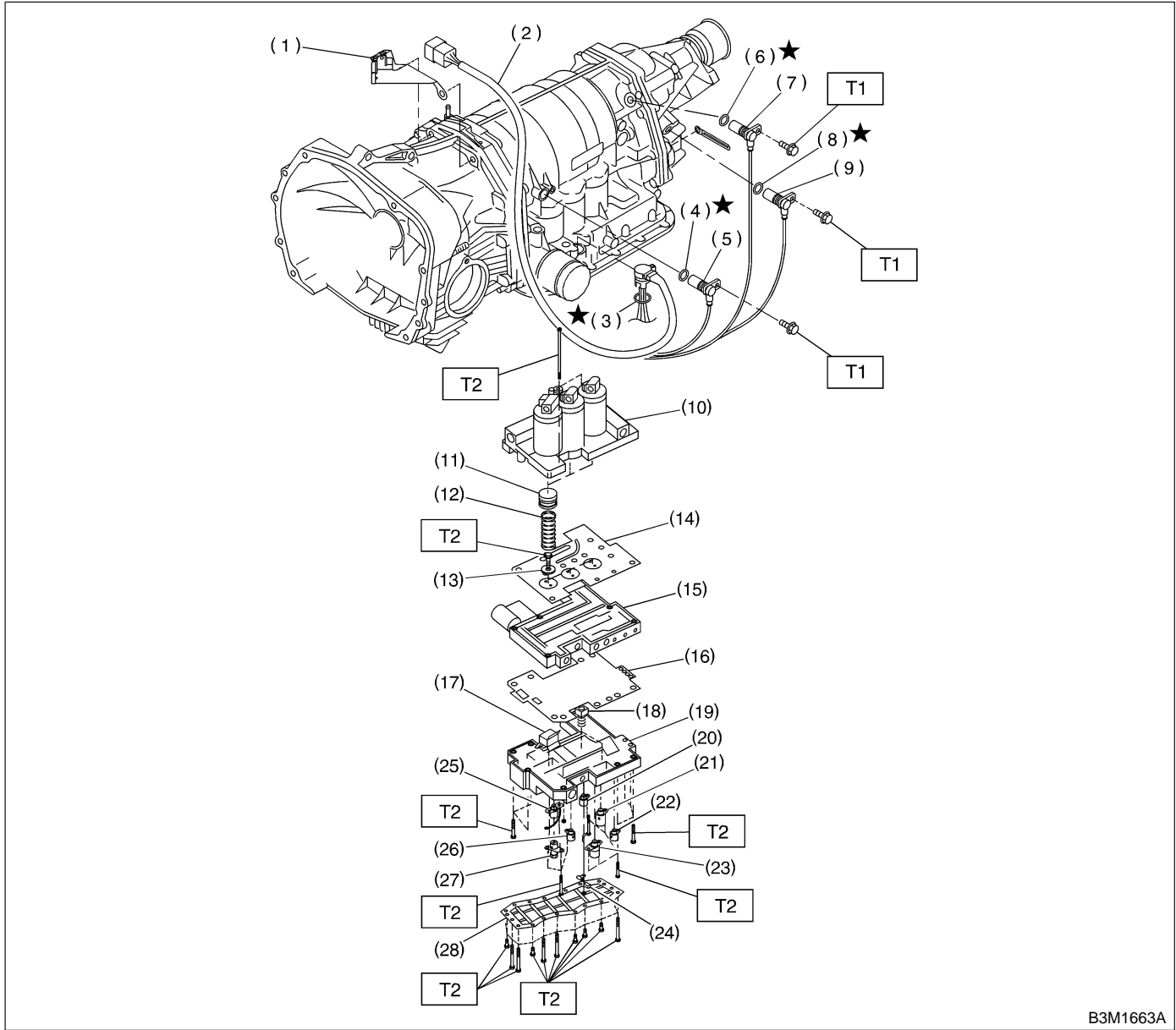


4. Control Valve and Harness Routing



- (1) Stay
- (2) Transmission harness
- (3) O-ring
- (4) O-ring
- (5) Torque converter turbine speed sensor
- (6) O-ring
- (7) Vehicle speed sensor 2 (Front)
- (8) O-ring
- (9) Vehicle speed sensor 1 (Rear)
- (10) Upper valve body
- (11) Accumulator piston

- (12) Accumulator spring
- (13) Side plate
- (14) Separate plate
- (15) Middle valve body
- (16) Separate plate
- (17) Fluid filter
- (18) Fluid filter
- (19) Lower valve body
- (20) Shift solenoid 2
- (21) Shift solenoid 1
- (22) 2-4 brake timing solenoid
- (23) Duty solenoid D (2-4 brake)

- (24) ATF temperature sensor
- (25) Duty solenoid A (Line pressure)
- (26) Low clutch timing solenoid
- (27) Duty solenoid B (Lock-up)
- (28) Oil strainer

Tightening torque: N·m (kg·m, ft·lb)

T1: 7±1 (0.7±0.1, 5.1±0.7)

T2: 8±1 (0.8±0.1, 5.8±0.7)