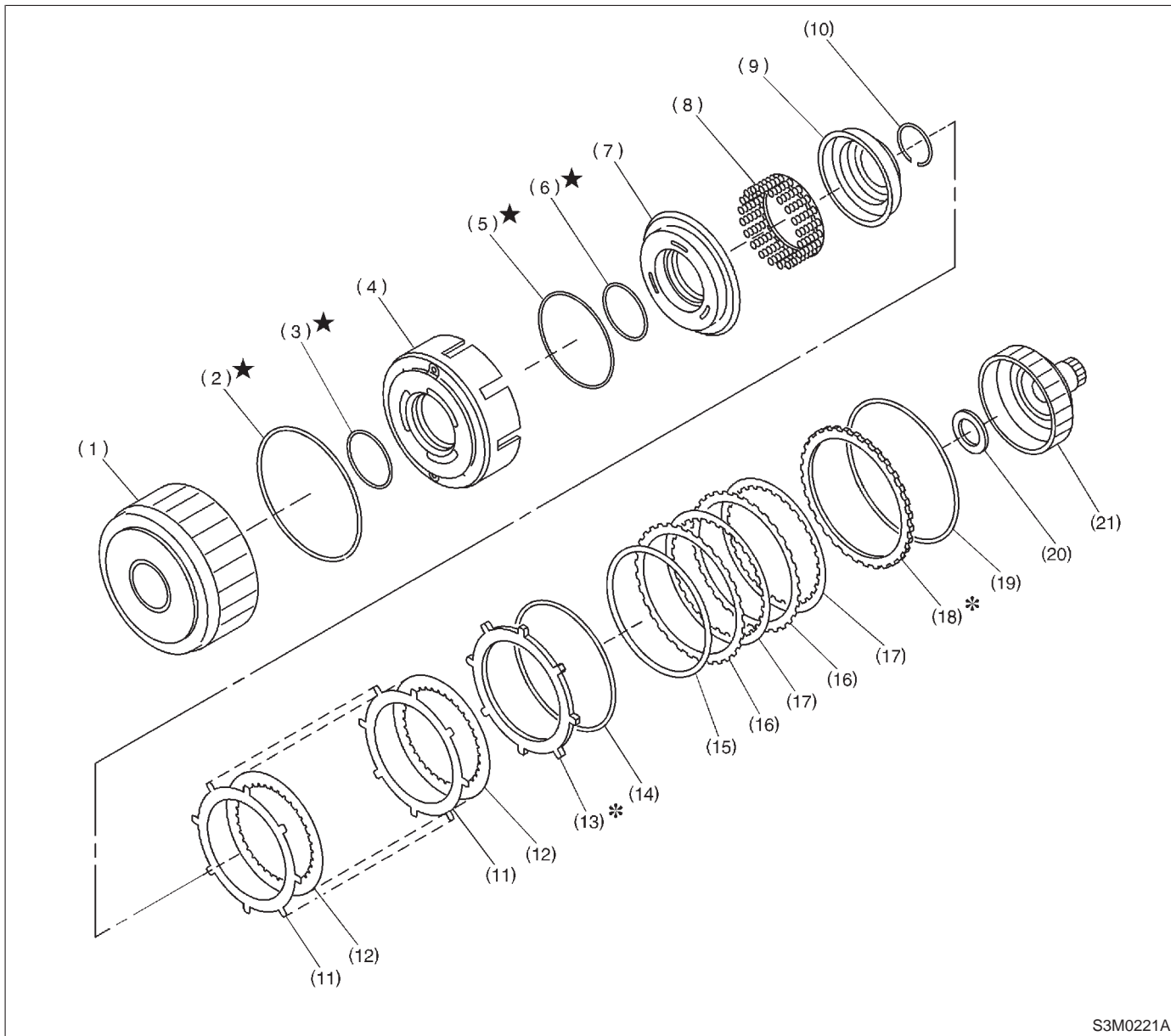


5. High Clutch and Reverse Clutch



S3M0221A

- (1) High clutch drum
- (2) Lip seal
- (3) Lathe cut seal ring
- (4) Reverse clutch piston
- (5) Lathe cut seal ring
- (6) Lathe cut seal ring
- (7) High clutch piston

- (8) Spring retainer
- (9) Cover
- (10) Snap ring
- (11) Driven plate
- (12) Drive plate
- (13) Retaining plate
- (14) Snap ring

- (15) Dish plate
- (16) Driven plate
- (17) Drive plate
- (18) Retaining plate
- (19) Snap ring
- (20) Thrust needle bearing
- (21) High clutch hub