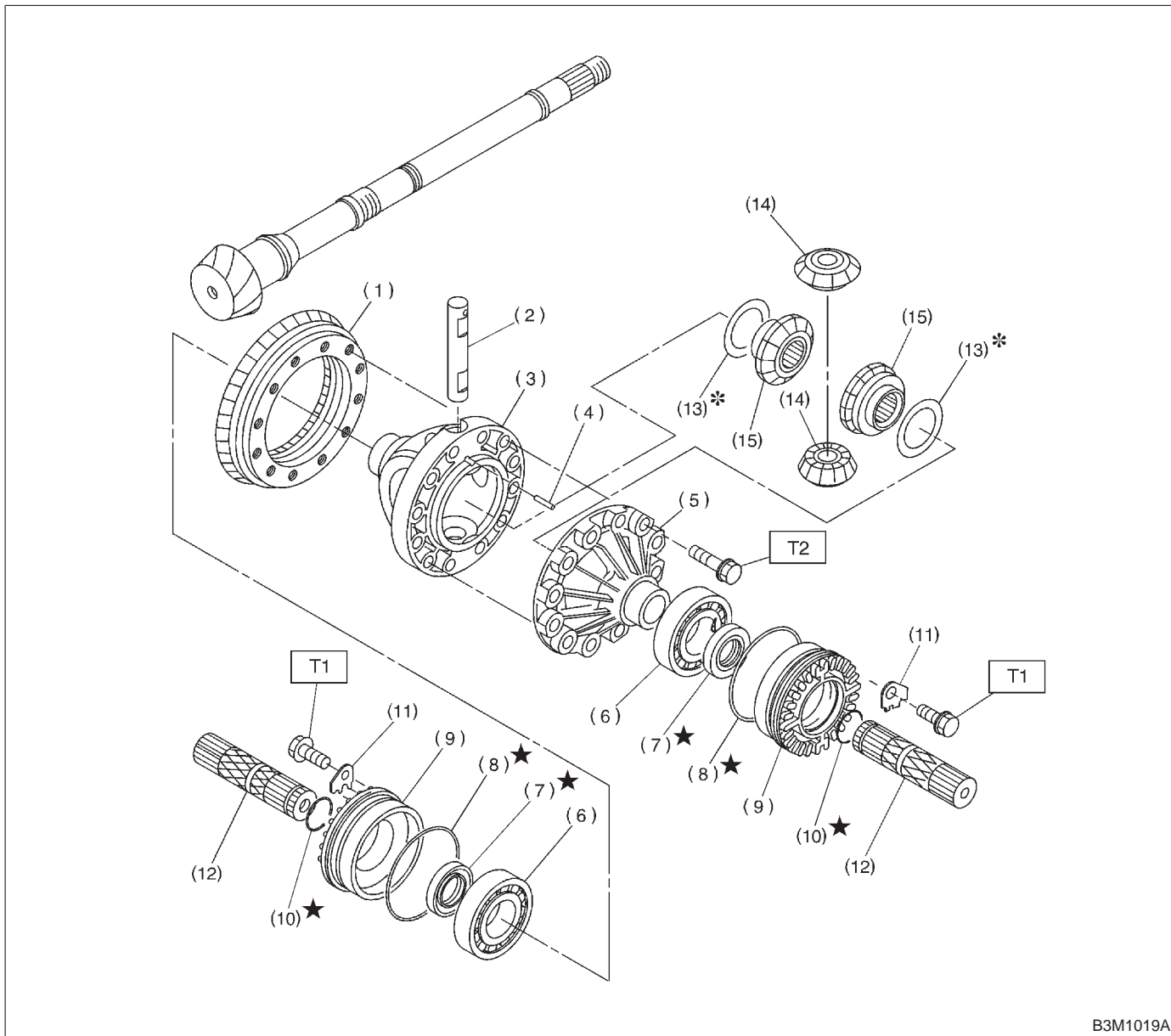


9. Differential Case



B3M1019A

- | | |
|----------------------------|--------------------------------|
| (1) Crown gear | (8) O-ring |
| (2) Pinion shaft | (9) Differential side retainer |
| (3) Differential case (RH) | (10) Circlip |
| (4) Straight pin | (11) Lock plate |
| (5) Differential case (LH) | (12) Axle shaft |
| (6) Taper roller bearing | (13) Washer |
| (7) Oil seal | (14) Differential bevel pinion |

- (15) Differential bevel gear

Tightening torque: N·m (kg·m, ft·lb)

T1: 25±2 (2.5±0.2, 18.1±1.4)

T2: 62±5 (6.3±0.5, 45.6±3.6)