

## 2. Inhibitor Switch

### A: INSPECTION

When driving condition or starter motor operation is erroneous, first check the shift linkage for improper operation. If the shift linkage is functioning properly, check the inhibitor switch.

- 1) Disconnect inhibitor switch connector.
- 2) Check continuity in inhibitor switch circuits with select lever moved to each position.

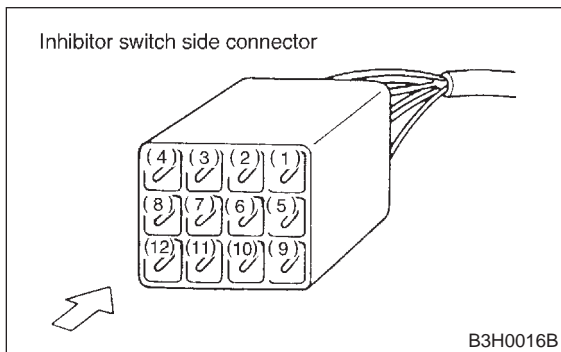
**CAUTION:**

Also check that continuity in ignition circuit does not exist when select lever is in R, D, 3, 2 and 1 ranges.

**NOTE:**

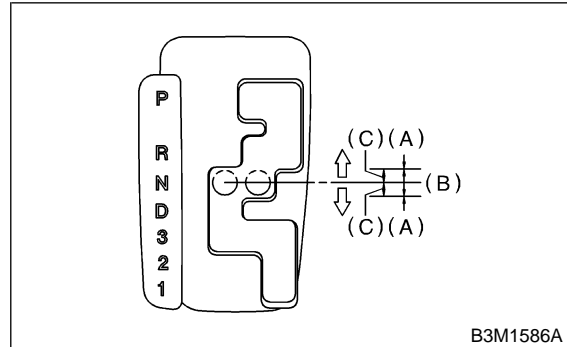
If inhibitor switch is inoperative, check for poor contact of connector on transmission side.

	Position	Pin No.
Signal sent to TCM	P	4 — 3
	R	4 — 2
	N	4 — 1
	D	4 — 8
	3	4 — 7
	2	4 — 6
	1	4 — 5
Ignition circuit	P/N	12 — 11
Back-up light circuit	R	10 — 9



- 3) Check if there is continuity at equal points when the select lever is turned 1.5° in both directions from the N range.

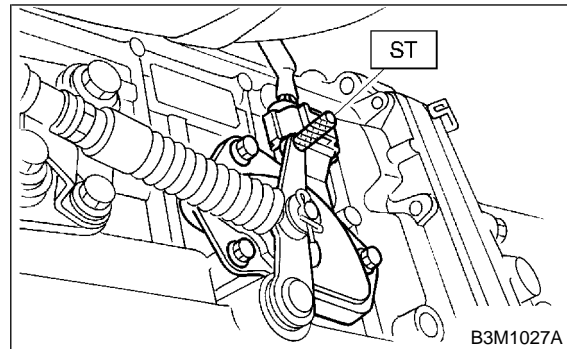
If there is continuity in one direction and the continuity in the other or if there is continuity at unequal points, adjust the inhibitor switch.



- (A) Continuity does not exist.
- (B) Continuity exists.
- (C) 1.5°

### B: ADJUSTMENT

- 1) Loosen the three inhibitor switch securing bolts.
- 2) Shift the select lever to the N range.
- 3) Insert ST as vertical as possible into the holes in the inhibitor switch lever and switch body.  
ST 499267300 STOPPER PIN



- 4) Tighten the three inhibitor switch bolts.

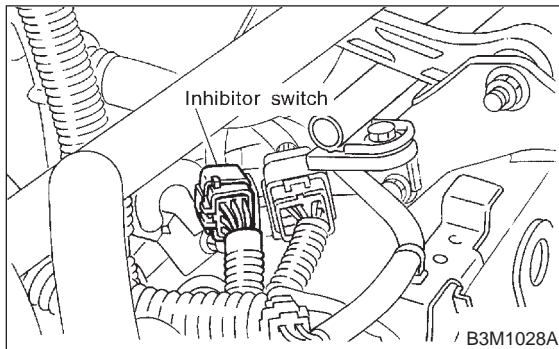
**Tightening torque:**

**3.4±0.5 N-m (0.35±0.05 kg-m, 2.5±0.4 ft-lb)**

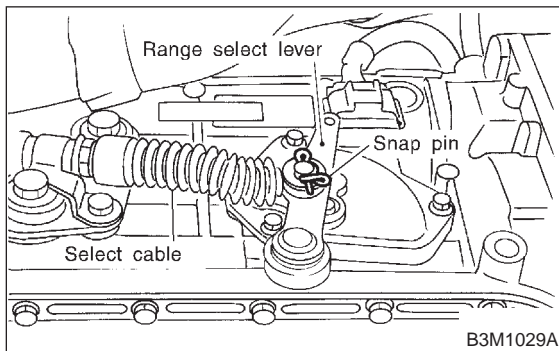
- 5) Repeat the above checks. If the inhibitor switch is determined to be "faulty", replace it.

## C: REMOVAL

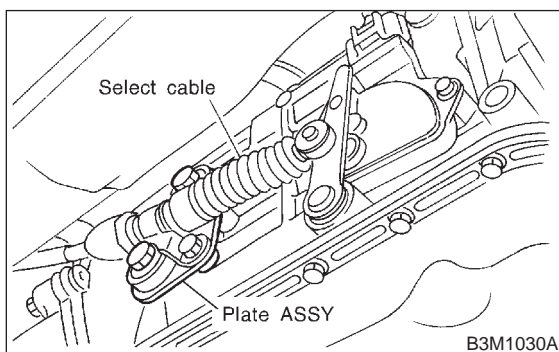
- 1) Move select lever to neutral position.
- 2) Remove air intake chamber and duct. <Ref. to 2-7 [W1A0].> and <Ref. to 2-7 [W2A0].>
- 3) Disconnect inhibitor switch connector.



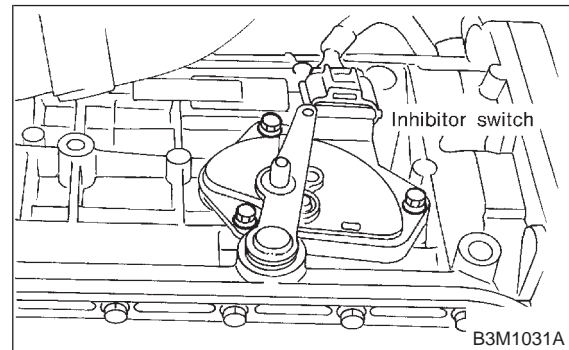
- 4) Remove front exhaust pipe. <Ref. to 2-9 [W1A0].>
- 5) Remove snap pin from range select lever.



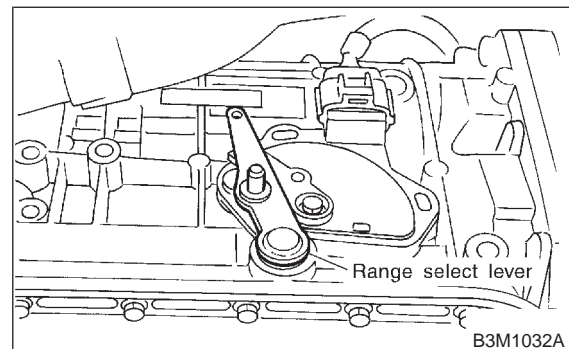
- 6) Remove plate assembly from transmission case.



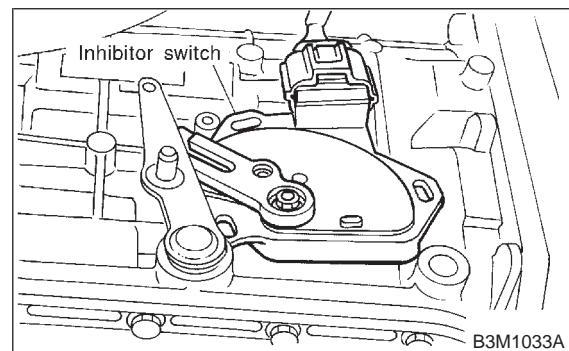
- 7) Remove bolts.



- 8) Move range select lever to parking position (left side).

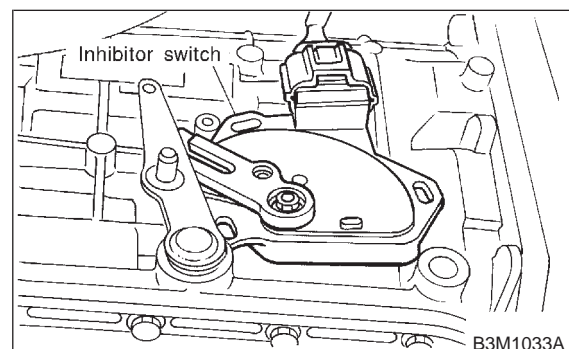


- 9) Remove inhibitor switch from transmission.



## D: INSTALLATION

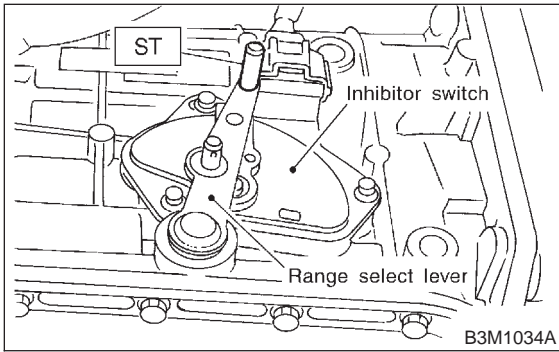
- 1) Install inhibitor switch to transmission case.



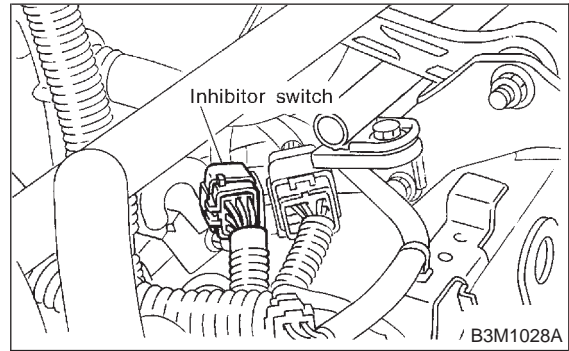
2. Inhibitor Switch

- 2) Move range select lever to neutral position.
- 3) Using ST, tighten bolts of inhibitor switch. <Ref. to 3-2 [W2B0].>

ST 499267300 STOPPER PIN



- 7) Install front exhaust pipe. <Ref. to 2-9 [W1B0].>
- 8) Connect inhibitor switch connector.

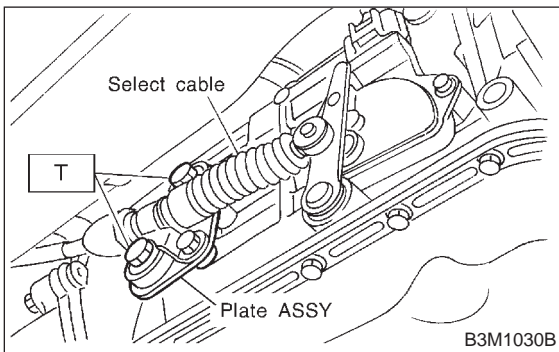


- 9) Install air intake chamber and duct. <Ref. to 2-7 [W1A0].> and <Ref. to 2-7 [W2A0].>

- 4) Install select cable to range select lever.
- 5) Install plate assembly to transmission.

**Tightening torque:**

**T: 24.5±2.0 N·m (2.50±0.20 kg·m, 18.1±1.4 ft·lb)**



- 6) Install snap pin to range select lever.

