

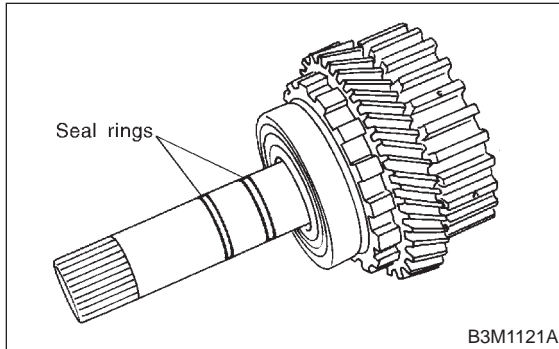
13. Reduction Drive Gear Assembly

A: DISASSEMBLY

1) Take out the seal rings.

CAUTION:

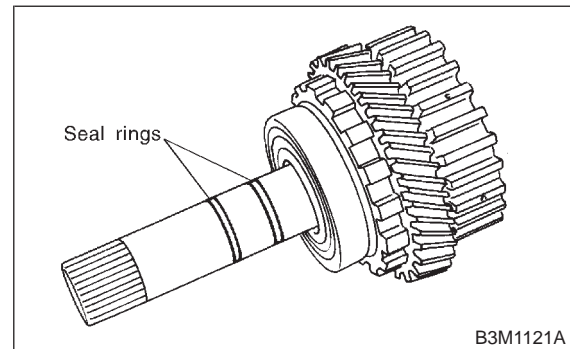
Be careful not to damage the seal rings.



3) Attach two seal rings.

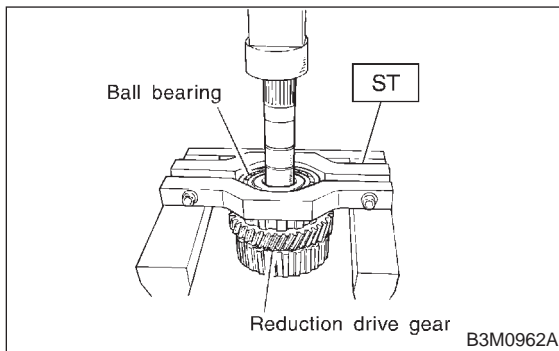
NOTE:

To make subsequent assembly easier, apply vaseline to the grooves of the shaft and to the exterior of the seal ring.

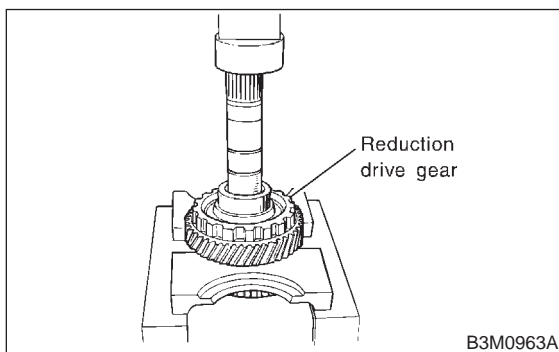


2) Using ST, remove the ball bearing.

ST 498077600 REMOVER



3) Using a press, remove the reduction drive gear.



B: INSPECTION

Make sure that each component is free of harmful gouges, cuts, or dust.

C: ASSEMBLY

- 1) Press-fit the reduction drive gear to the shaft.
- 2) Press-fit the ball bearing to the reduction drive gear.