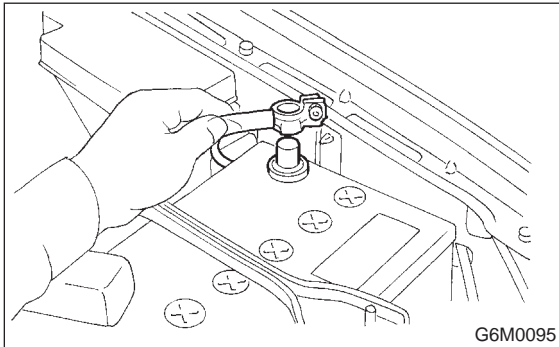


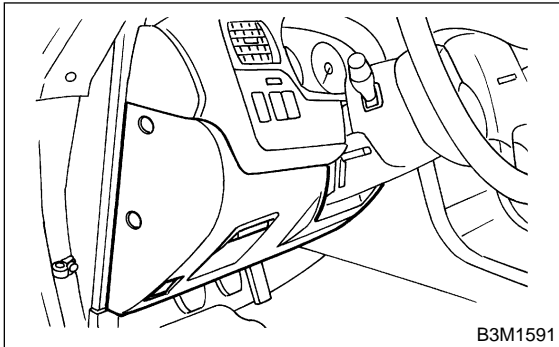
## 23. Transmission Control Module (TCM)

### A: REMOVAL

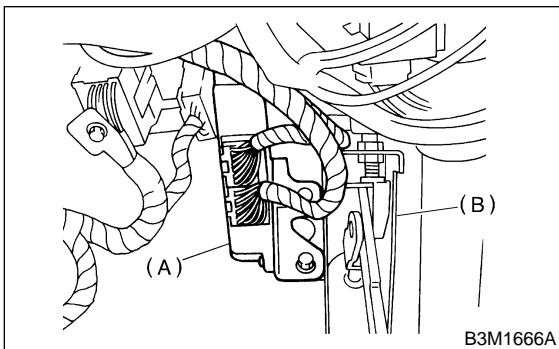
- 1) Disconnect battery ground cable.



- 2) Remove lower cover and then disconnect connector.

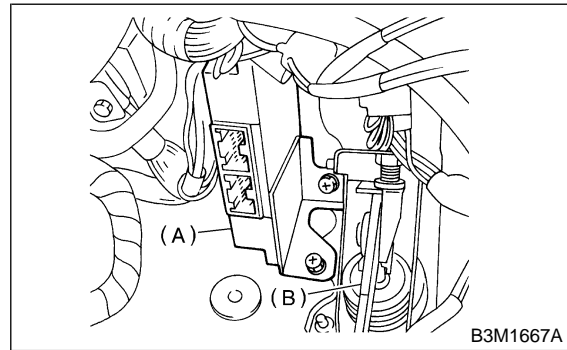


- 3) Disconnect connectors from transmission control module.



- (A) Transmission control module
- (B) Brake pedal bracket

- 4) Remove transmission control module.



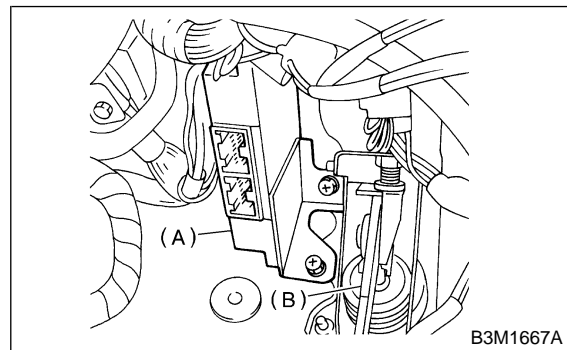
- (A) Transmission control module
- (B) Brake pedal bracket

### B: INSTALLATION

- 1) Install transmission control module.

**Tightening torque:**

**$7.4 \pm 2 \text{ N}\cdot\text{m}$  ( $0.75 \pm 0.2 \text{ kg}\cdot\text{m}$ ,  $5.4 \pm 1.4 \text{ ft}\cdot\text{lb}$ )**



- (A) Transmission control module
- (B) Pedal bracket

- 2) Connect connectors to transmission control module.
- 3) Installing procedure hereafter is in the reverse order of removal.