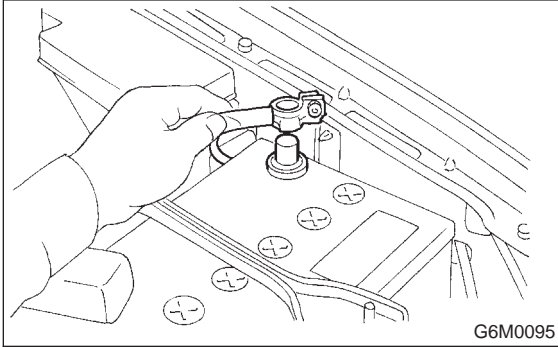


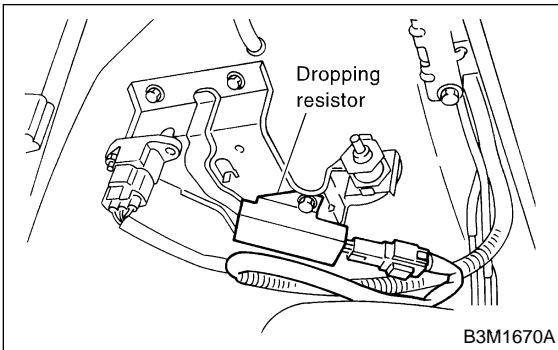
## 24. Dropping Resistor

### A: REMOVAL AND INSTALLATION

- 1) Disconnect battery ground cable.



- 2) Remove air intake duct. <Ref. to 2-7 [W1A0].>
- 3) Disconnect connector from dropping resistor.
- 4) Remove dropping resistor from bracket.



- 5) Installation is in the reverse order of removal.

**Tightening torque:**

**$6.4 \pm 0.5$  N·m ( $0.65 \pm 0.05$  kg·m,  $4.7 \pm 0.4$  ft·lb)**

