

## 1. Precaution

### A: SUPPLEMENTAL RESTRAINT SYSTEM "AIRBAG"

Airbag system wiring harness is routed near the transmission control module (TCM).

#### CAUTION:

- All Airbag system wiring harness and connectors are colored yellow. Do not use electrical test equipment on these circuit.
- Be careful not to damage Airbag system wiring harness when performing diagnostics and servicing the TCM.

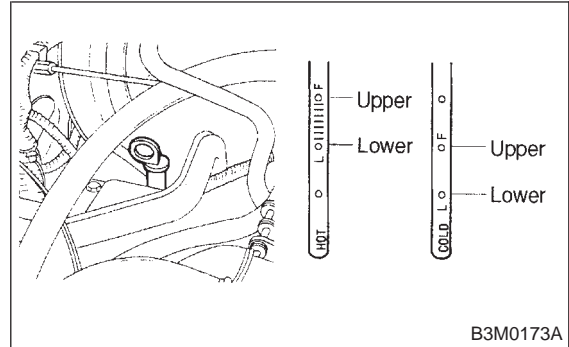
### B: MEASUREMENT

When measuring voltage and resistance of the ECM, TCM or each sensor, use a tapered pin with a diameter of less than 0.64 mm (0.025 in) in order to avoid poor contact. Do not insert the pin more than 5 mm (0.20 in).

## 2. Pre-inspection

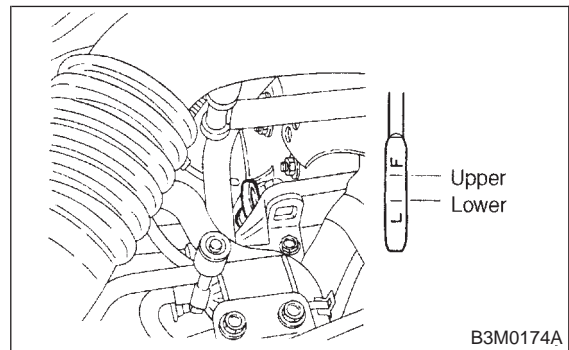
### A: ATF LEVEL

Make sure that ATF level is in the specification.



### B: FRONT DIFFERENTIAL OIL LEVEL

Make sure that front differential oil level is in the specification.



### C: OPERATION OF SHIFT SELECTOR LEVER

Make sure there is no abnormal noise, dragging or contact pattern in each select lever range.

#### WARNING:

Stop the engine while checking operation of selector lever.

