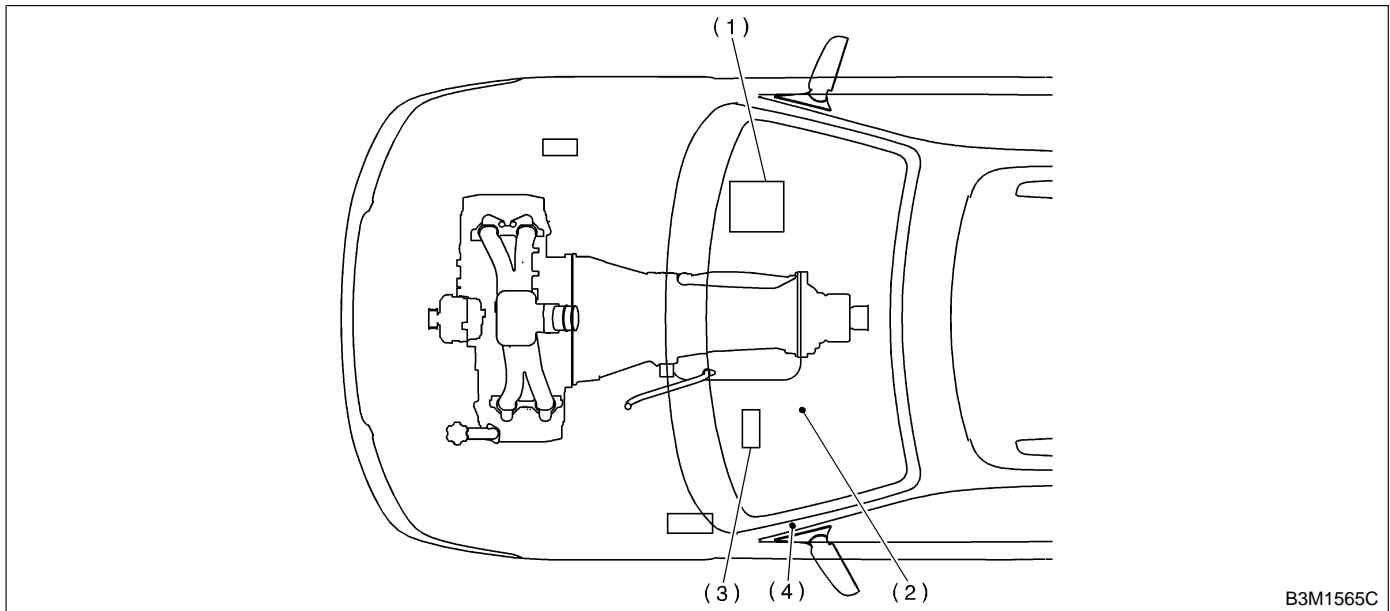


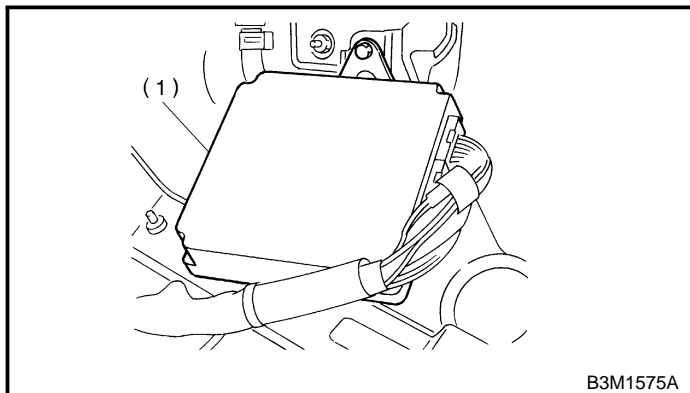
### 3. Electrical Components Location

#### A: CONTROL MODULE

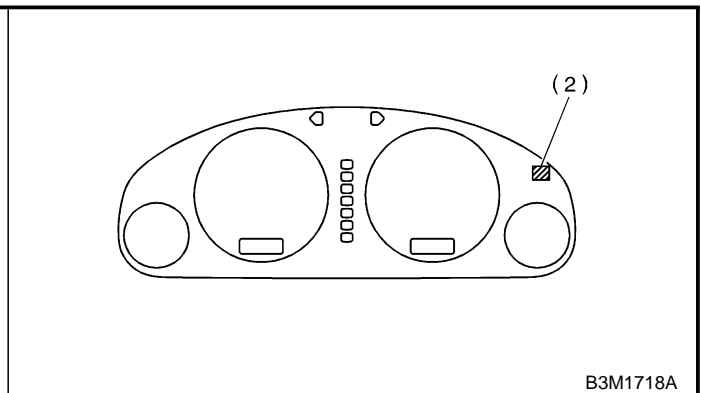


B3M1565C

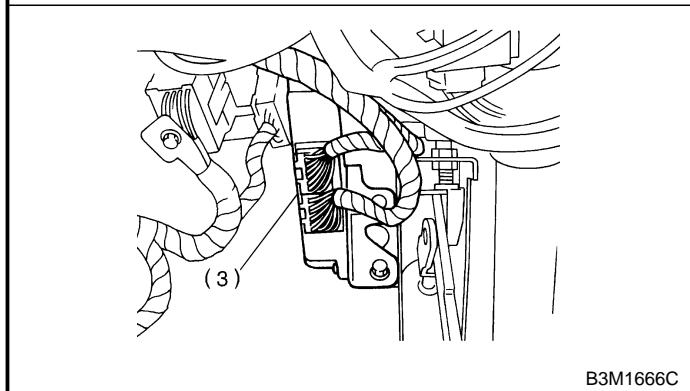
- (1) Engine control module (ECM)
- (2) Power indicator light (AT diagnostic indicator light)
- (3) Transmission control module (TCM)
- (4) Data link connector



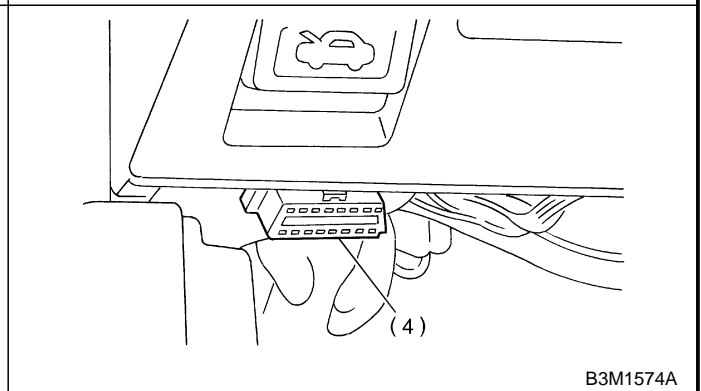
B3M1575A



B3M1718A

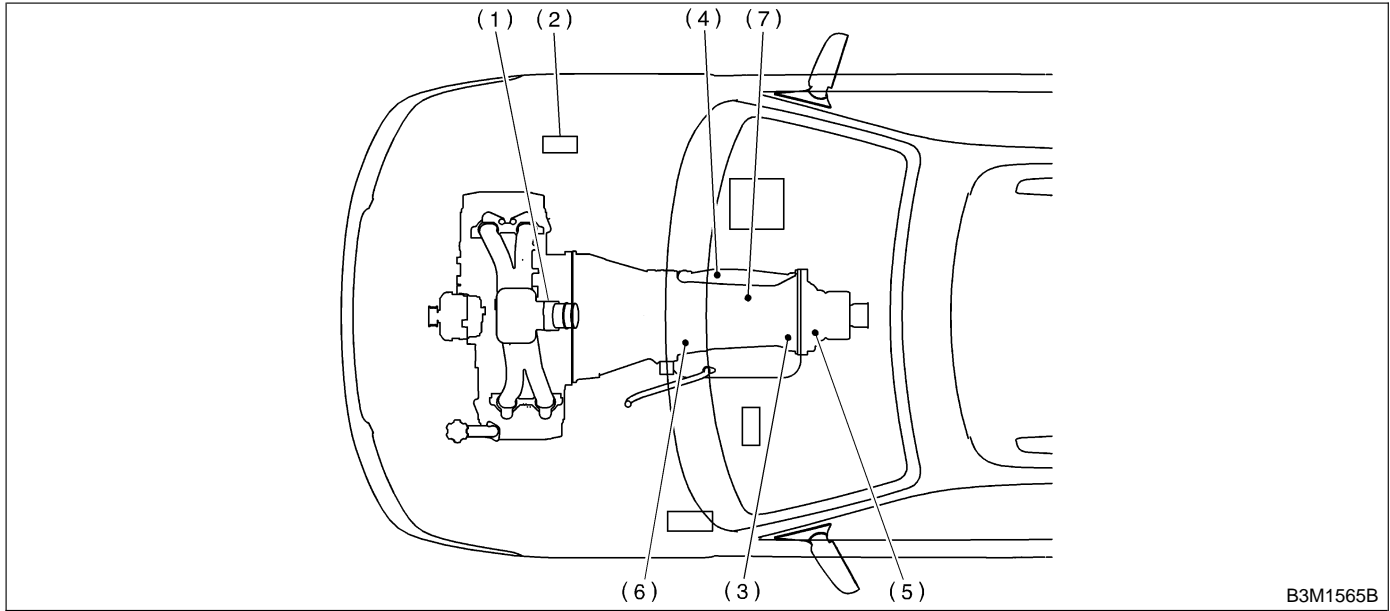


B3M1666C



B3M1574A

**B: SENSOR**



(1) Throttle position sensor

(2) Dropping resistor

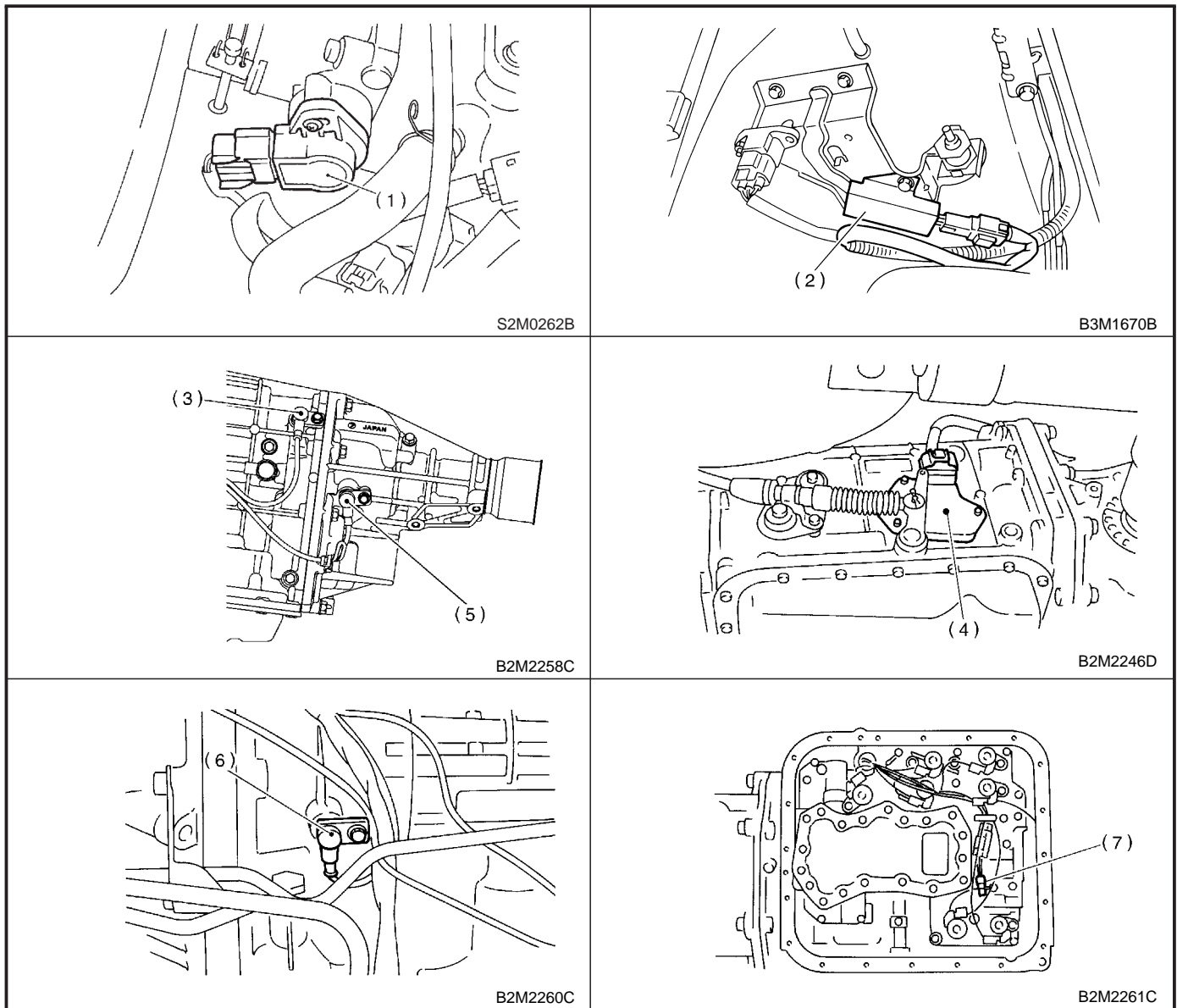
(3) Vehicle speed sensor 2 (Front)

(4) Inhibitor switch

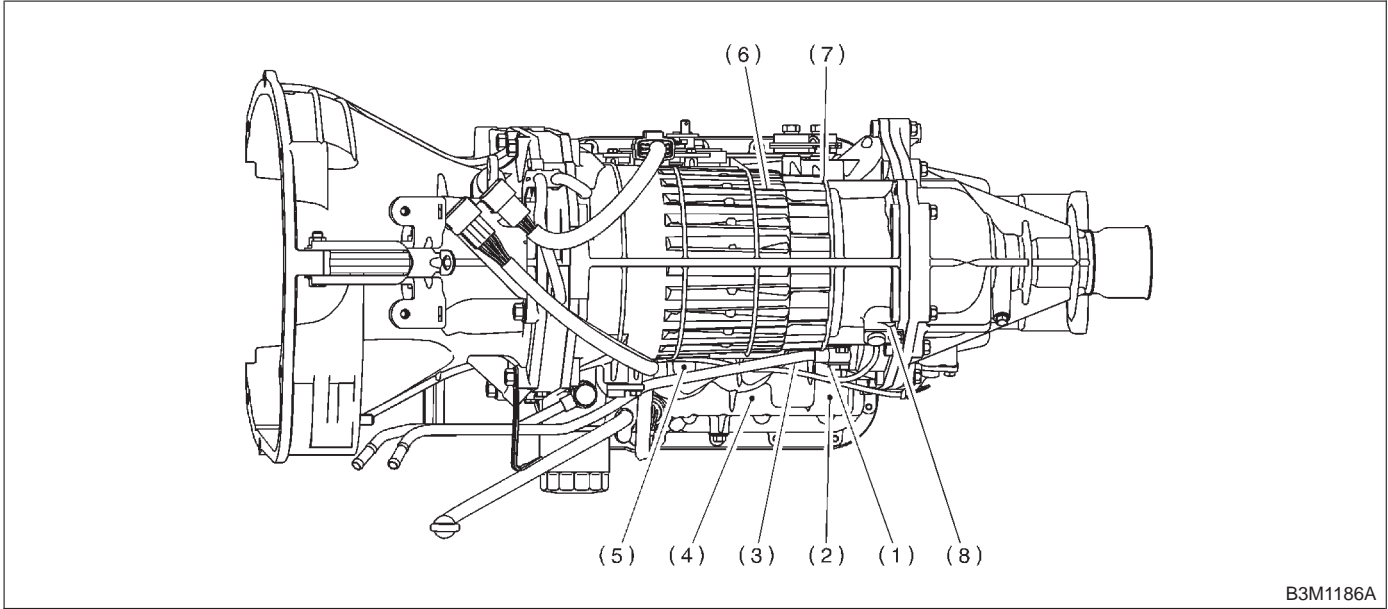
(5) Vehicle speed sensor 1 (Rear)

(6) Torque converter turbine speed signal

(7) ATF temperature sensor

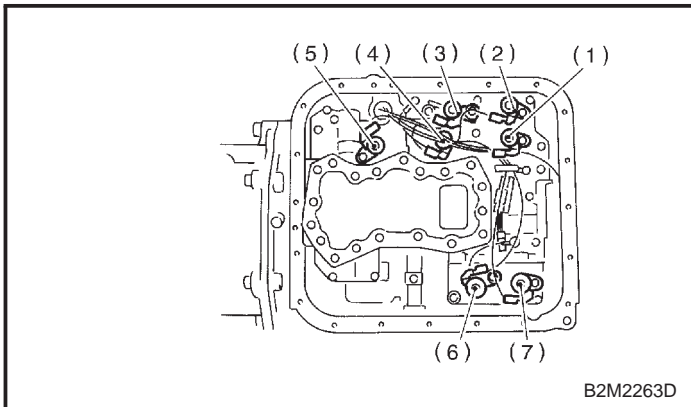


C: SOLENOID

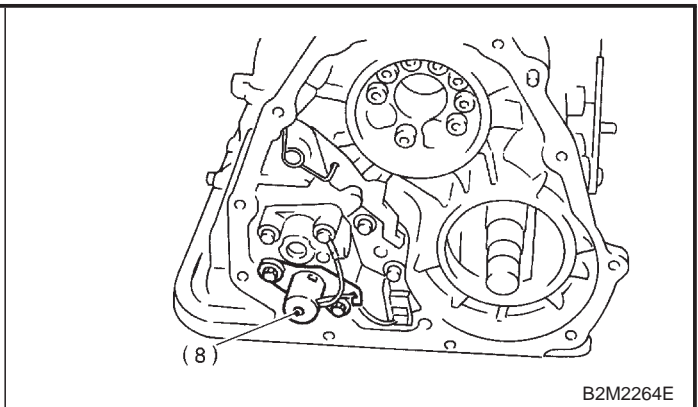


B3M1186A

- |                     |                                |                               |
|---------------------|--------------------------------|-------------------------------|
| (1) Solenoid 1      | (4) Low clutch timing solenoid | (7) 2-4 brake timing solenoid |
| (2) Solenoid 2      | (5) Duty solenoid B            | (8) Duty solenoid C           |
| (3) Duty solenoid A | (6) Duty solenoid D            |                               |



B2M2263D



B2M2264E