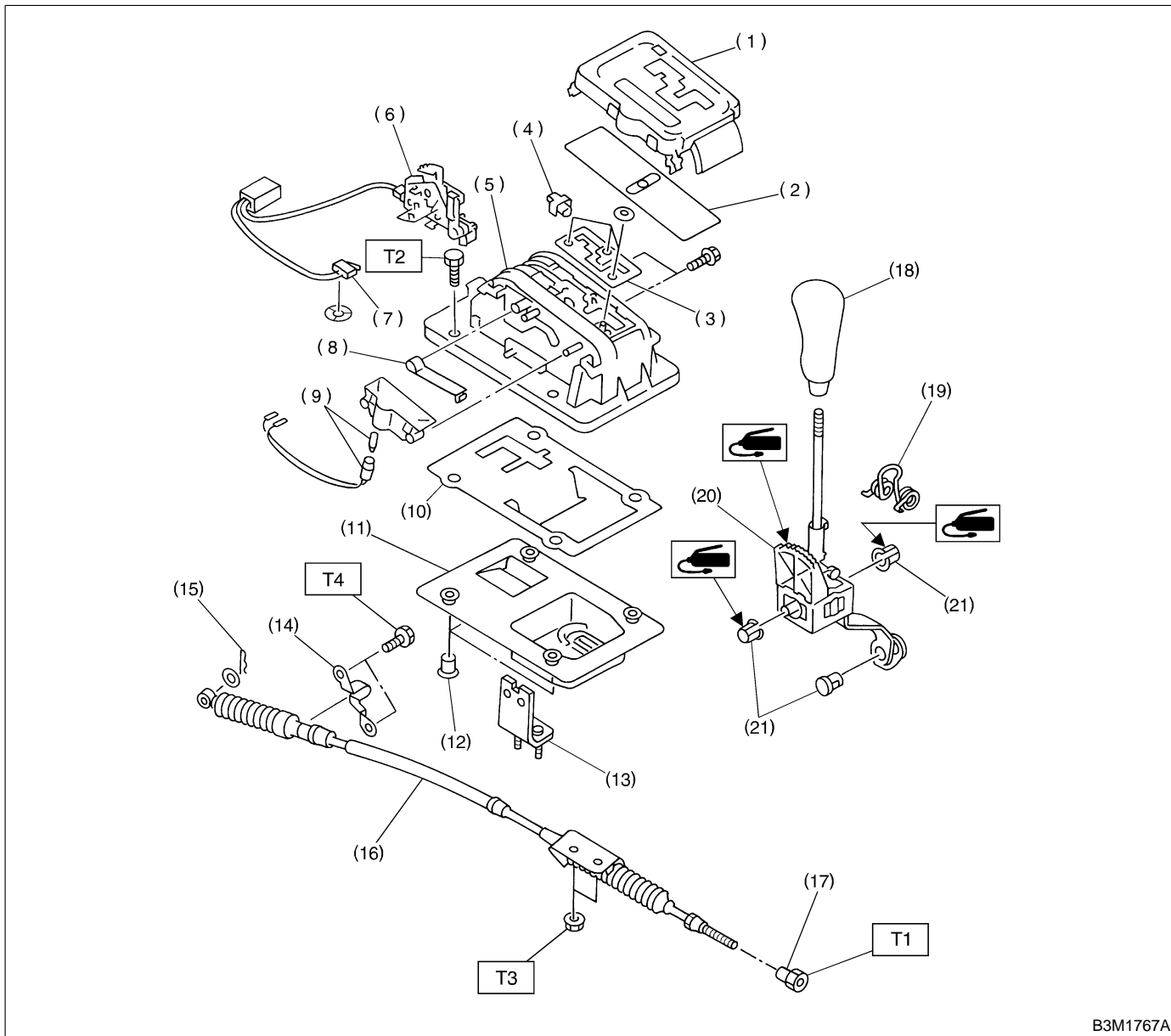


2. Select Lever



B3M1767A

- | | |
|-------------------------|------------------------|
| (1) Indicator cover | (11) Rubber boot |
| (2) Slider | (12) Washer |
| (3) Pattern plate | (13) Cable bracket |
| (4) Stopper | (14) Cable clamp |
| (5) Frame | (15) Snap pin |
| (6) Solenoid ASSY | (16) Outer cable |
| (7) "P" position switch | (17) Nut |
| (8) Detent spring | (18) Grip |
| (9) Illumination bulb | (19) Spring |
| (10) Plate | (20) Select lever ASSY |

- (21) Bush

Tightening torque: N-m (kg-m, ft-lb)

T1: 7.5±2.0 (0.76±0.20, 5.5±1.4)

T2: 13±3 (1.3±0.3, 9.4±2.2)

T3: 18±5 (1.8±0.5, 13.0±3.6)

T4: 33±10 (3.4±1.0, 25±7)